

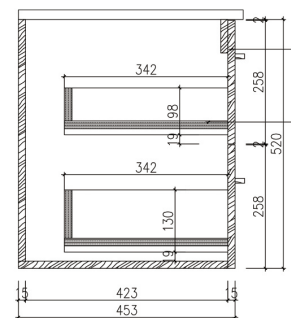
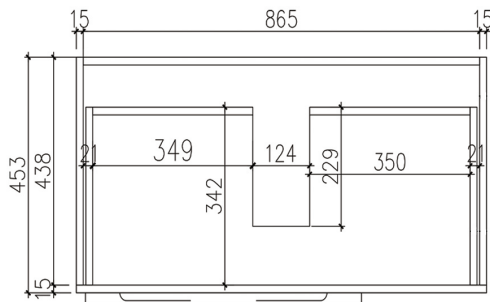
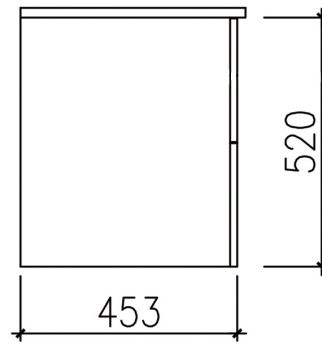
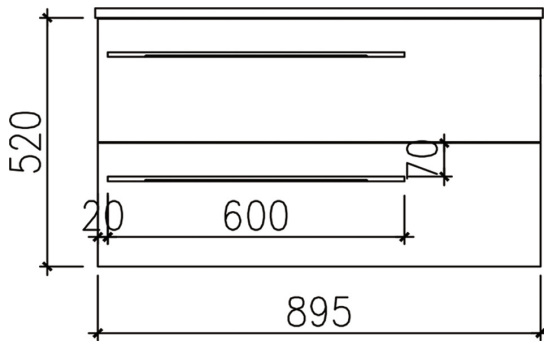


**SPECIFICATION SHEET**

**BLANCHE COLLECTION 900**

SKU: VVF900

Configuration	2 Small Drawer
Installation	Wall Hung
Width	895mm
Depth	455mm
Height	520mm
Colour Options	Varnished Oak <b>VO</b> Dark Walnut <b>DW</b>
Basin Options	Poly-marble Drop-in Basin <b>NPMB</b> Composite Stone Drop-in Basin <b>CSDB</b> Composite Stone Benchtop <b>CSBT</b>



Soft Close Drawers with Unihopper Premium Rails



Plywood with North American Timber Veneer



High Moisture Resistant Ply

**10** 10 Year Warranty for Cabinetry

**5** 5 Year Warranty for Basin/Benchtop

