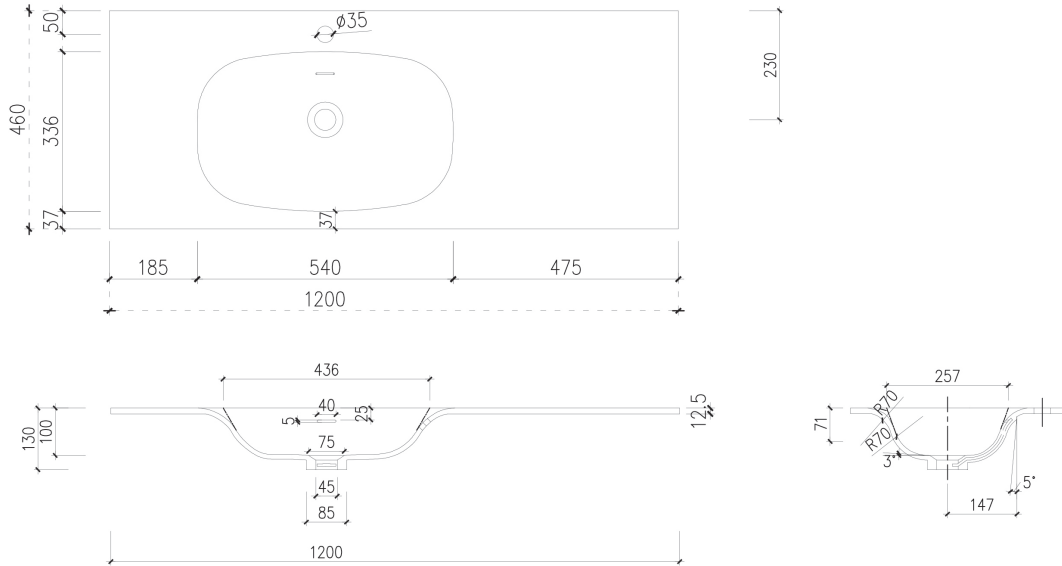




**ARUVO™ WAVE Composite Stone Drop-in Basin**  
**1200 Offset Left Waste**

SKU: WAVE-1200SL

Colour	White
Finish	Matte
Material	Composite Stone
Installation	Mounted on Vanity
Width	1200mm
Depth	460mm
Height	15mm
Overflow	Yes
Waste Size	32mm
Number of Waste	1
Taphole	Pre-drilled or non pre-drilled taphole available



Strength and durability



Velvety to touch



Minimal upkeep and maintenance



7 Year Warranty

