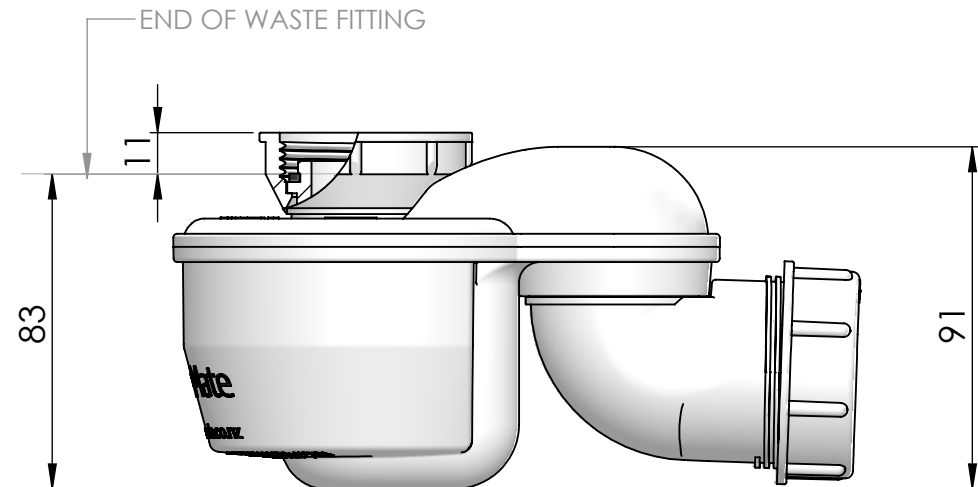
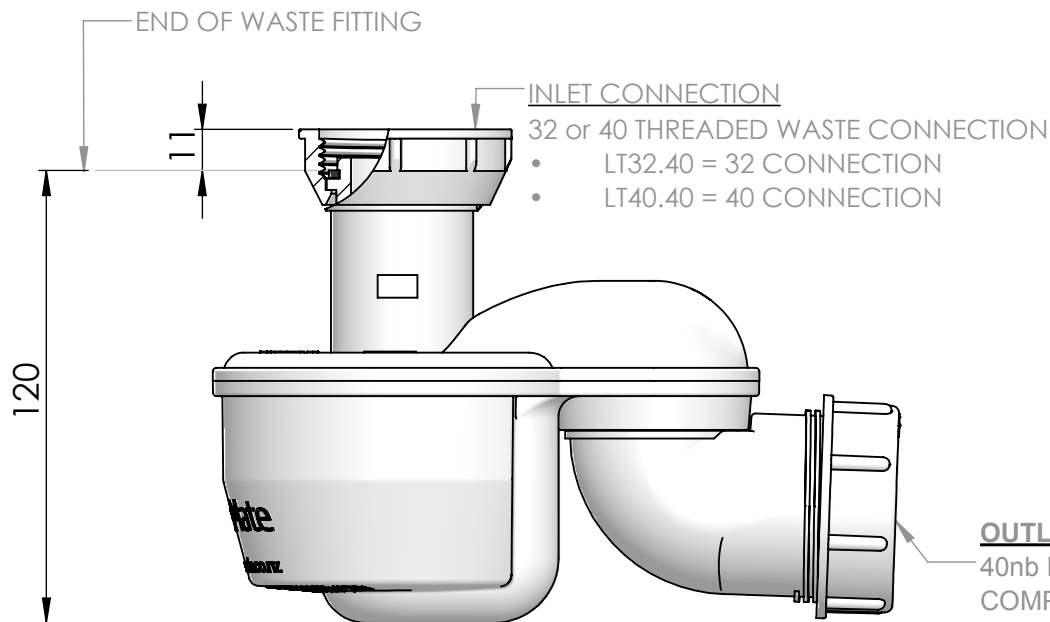
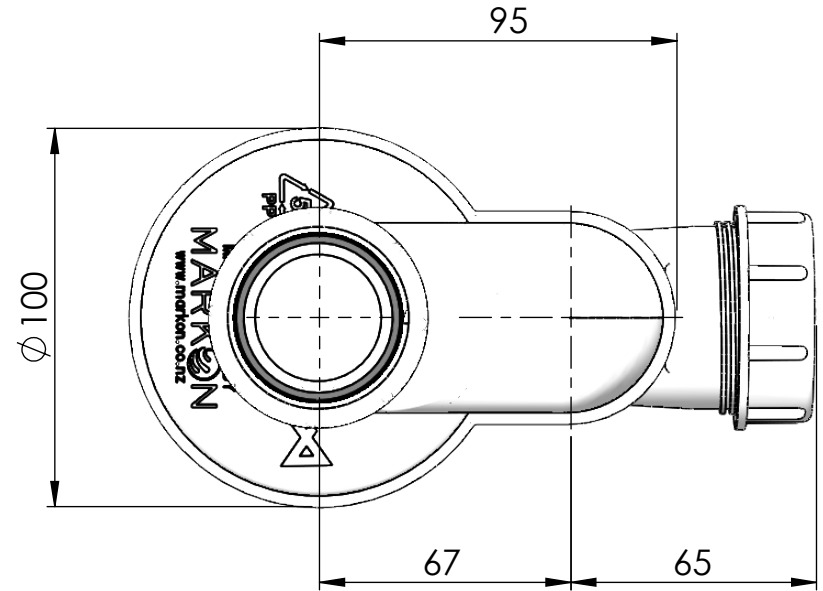
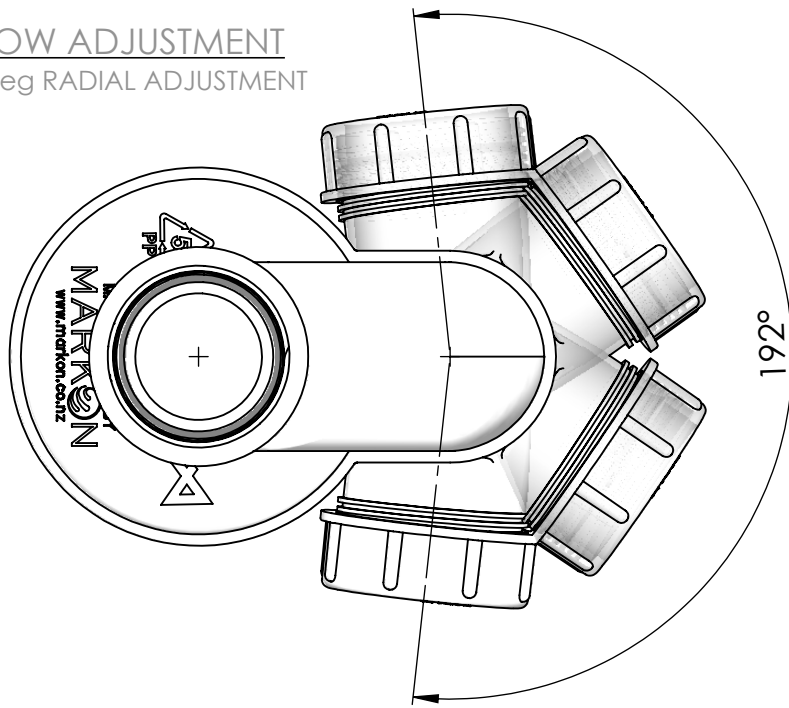


**ELBOW ADJUSTMENT**

190deg RADIAL ADJUSTMENT



**EXTENDED HEIGHT** (40mm VERTICAL ADJUSTMENT)

DRAWN	THIS DRAWING AND THE INVENTION, AND IT'S ANNOTATIONS, COPYRIGHT THEREIN AND INFORMATION PORTRAYED IS THE EXCLUSIVE PROPERTY OF MARKON HOLDINGS LTD. THIS DRAWING IS SUBJECT TO PROMPT RETURN UPON DEMAND BY MARKON
DATE	



A4  
SHEET 2 OF 2

TITLE:	SPACEMATE TRAP 40-40	DWG NO.	LT.40.40
--------	----------------------	---------	----------