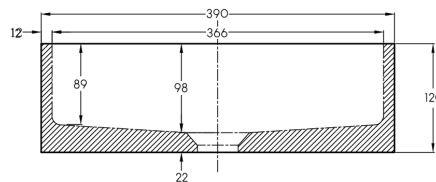
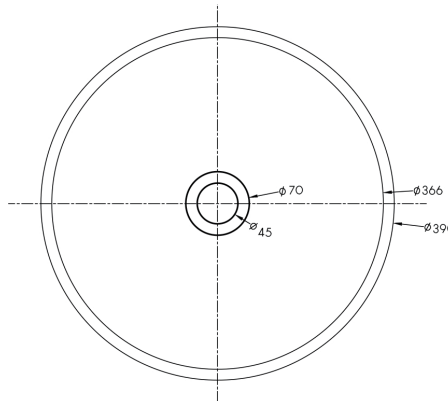




**ARUVO™ ACOVI Concrete Travertine Vessel**

SKU: SSB-ACOVI

<b>Material</b>	Concrete Travertine
<b>Installation</b>	Bench-mount
<b>Width</b>	390mm
<b>Depth</b>	390mm
<b>Height</b>	120mm
<b>Overflow</b>	No
<b>Colour Options</b>	White   Black
<b>Finish</b>	Matte
<b>Waste Diameter</b>	45mm



Water & Stain-Resistant Nano Sealant Coating



Includes a matching concrete pop-up cover



Highly Durable



5 Year Warranty

