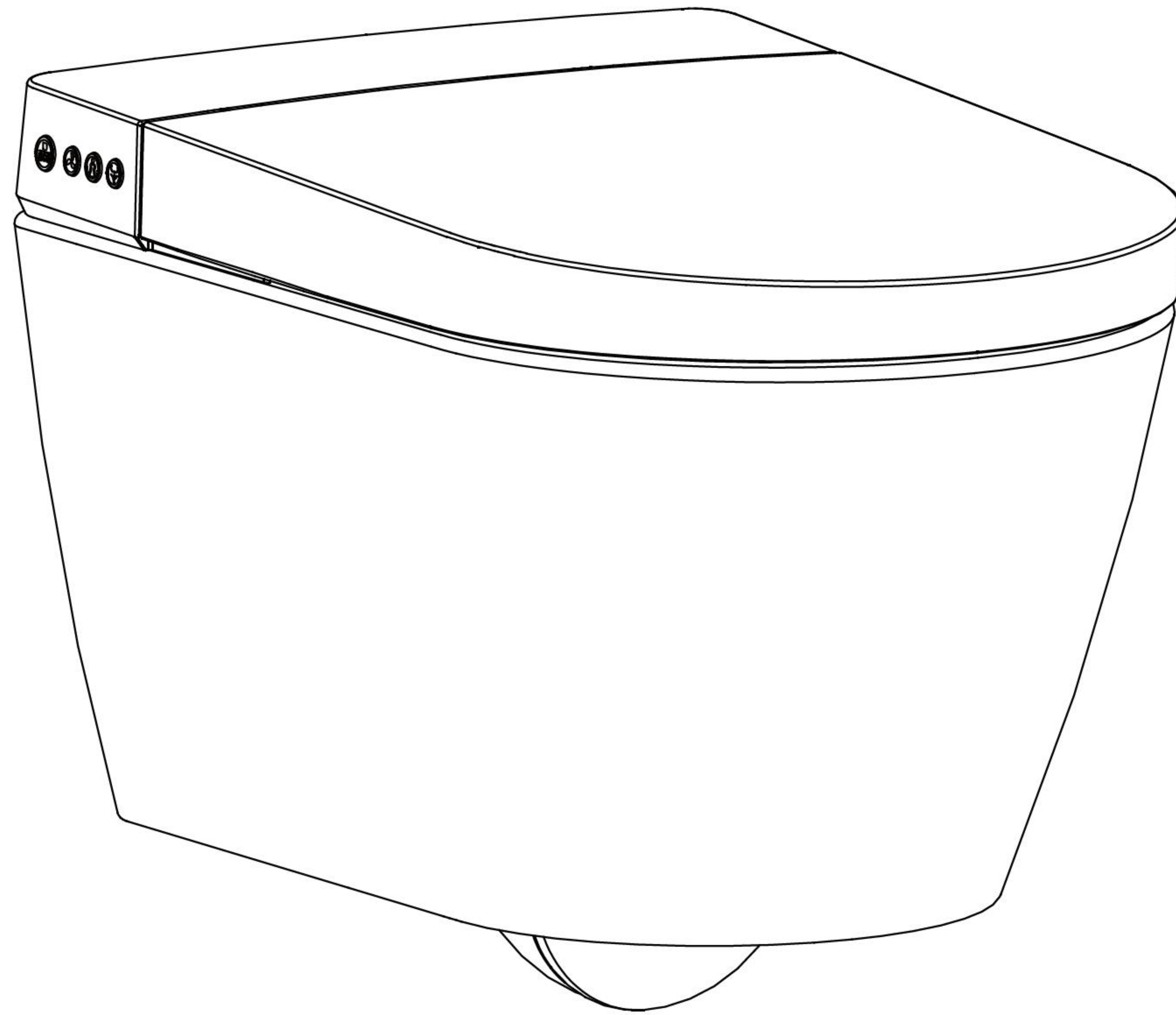


ARUVO



ELYSIA INTELLIGENT TOILET SUITE Installation Manual

- Thank you for choosing our products. Please read the instructions carefully before installation and keep it available for future maintenance or reference.

Content

Installation

Safety instructions	01
List of materials	03
Technical drawings	05
Required accessories for in-wall carrier	06
Installation tools	06
Installation dimensions	06
Pre-installation confirmation	07
Before installation	08
Connector installation	09
Installation procedures	10

SAFETY INSTRUCTIONS


When using electrical products, especially when children are present, basic safety precautions should always be followed, including the following:

1. The appliance is not to be used by persons (including children) with reduced physical, sensory or mental capabilities, or lack of experience and knowledge, unless they have been given supervision or instruction.
2. This appliance can be used by children aged from 8 years and above and persons with reduced physical, sensory or mental capabilities or lack of experience and knowledge if they have been given supervision or instruction concerning use of the appliance in a safe way and understand the hazards involved.
3. Children shall not play with the appliance.
4. Cleaning and user maintenance shall not be made by children without supervision.

READ ALL INSTRUCTIONS BEFORE USING

 **DANGER** – To reduce the risk of electrocution:

1. Do not place or store product where it can fall or be pulled into a tub or sink.
2. Do not place in or drop into water or other liquid.
3. Do not reach for a product that has fallen into water. Unplug immediately.
4. Do not wash the main unit or electrical plug with water or detergent.
5. Do not handle the electrical plug with wet hands.
6. Never block the outlet of the air dryer.
7. Never disassemble, repair or modify this product.
8. During installation, disassembly, repair and maintenance of the product, the power plug must be switched off and water supply be shut off.

 **WARNING** – To reduce the risk of burns, electrocution, fire, or injury to persons.

1. Close supervision is necessary when this product is used by, on, or near children or individuals with disabilities.
2. Use this product only for its intended use as described in this manual. Do not use attachments not recommended by the manufacturer.
3. Never operate this product if it has a damaged cord or plug, if it is not working properly, if it has been dropped or damaged, or dropped into water. Return the product to a service center for examination and repair.
4. Keep the cord away from heated surfaces.
5. Never use while sleeping or drowsy.
6. Never drop or insert any object into any opening or hose.
7. Do not use outdoors or operate where aerosol (spray) products are being used or where oxygen is being administered.
8. Connect this product to a properly grounded outlet only. See Grounding Instructions.
9. Do not throw cigarettes and other burning materials into toilet, otherwise it might cause fire.
10. This product is an electric appliance, so it must be placed far away from water and other liquid.
11. Do not lay the product on its side or upside down during the electrical circuit.
12. It is prohibited to use other electric appliances in the same socket.
13. It is forbidden to use the power extension or unstable loose outlet.
14. Do not reuse any existing water supply hoses, otherwise it might cause leakage, fire or electrical shock. Installation should include specified components and a new water supply hose.

IMPORTANT SAFETY INSTRUCTIONS

 **CAUTION** – Failure to follow the instructions may cause bodily injury or property damage.

1. Do not install or use the product in wet places such as a steam room etc.
2. It is recommended to use water-proof electrical outlet which should be installed in a place where is not easily to get wet.
3. This product should be used with 220V-240V, 50-60Hz electrical current only, load current is at least 10A. Power plug must be equipped with ground fault circuit interrupter or ground fault electrical leakage protector or similar high sensitive, rapid type leakage switch. (Rated sensitive current under 10mA).
4. When it thunders, it is strongly recommended to pull out the power plug.
5. Do not stand on product unit, seat and lid.
6. Do not lean against the lid when using the product, to avoid damage.
7. This product is equipped with a soft-closing seat and lid. Do not push the toilet seat closed, or damage may occur.
8. Do not use any caustic chemicals or scrubbing brush to clean this product.
9. Exposure to direct sunlight is prohibited.
10. Only use tap water or potable water; otherwise it may cause chafing.
11. Do not connect water supply to a hot water supply. Make sure inlet water temperature is between 3~35°C/37.4~95°F.
12. Raise room temperature to prevent the toilet from damage due to freezing.
13. When not using the product over three(3) days, drain the water out of the toilet and pull the electrical plug from the wall outlet.
14. Stop using the product and shut off the power when product malfunctions. Call for professional service.
15. Means for full disconnection must be incorporated in series in the power input loop of the same room where the product is installed, that is at the front end of the fixed wiring to ensure safe use.

GROUNDING INSTRUCTIONS

This product should be grounded. In the event of an electrical short circuit, grounding reduces the risk of electric shock by providing an escape wire for the electrical current. The plug must be plugged into an outlet that is properly installed and grounded.

 **DANGER** – Improper use of the grounding plug can result in a risk of electric shock.

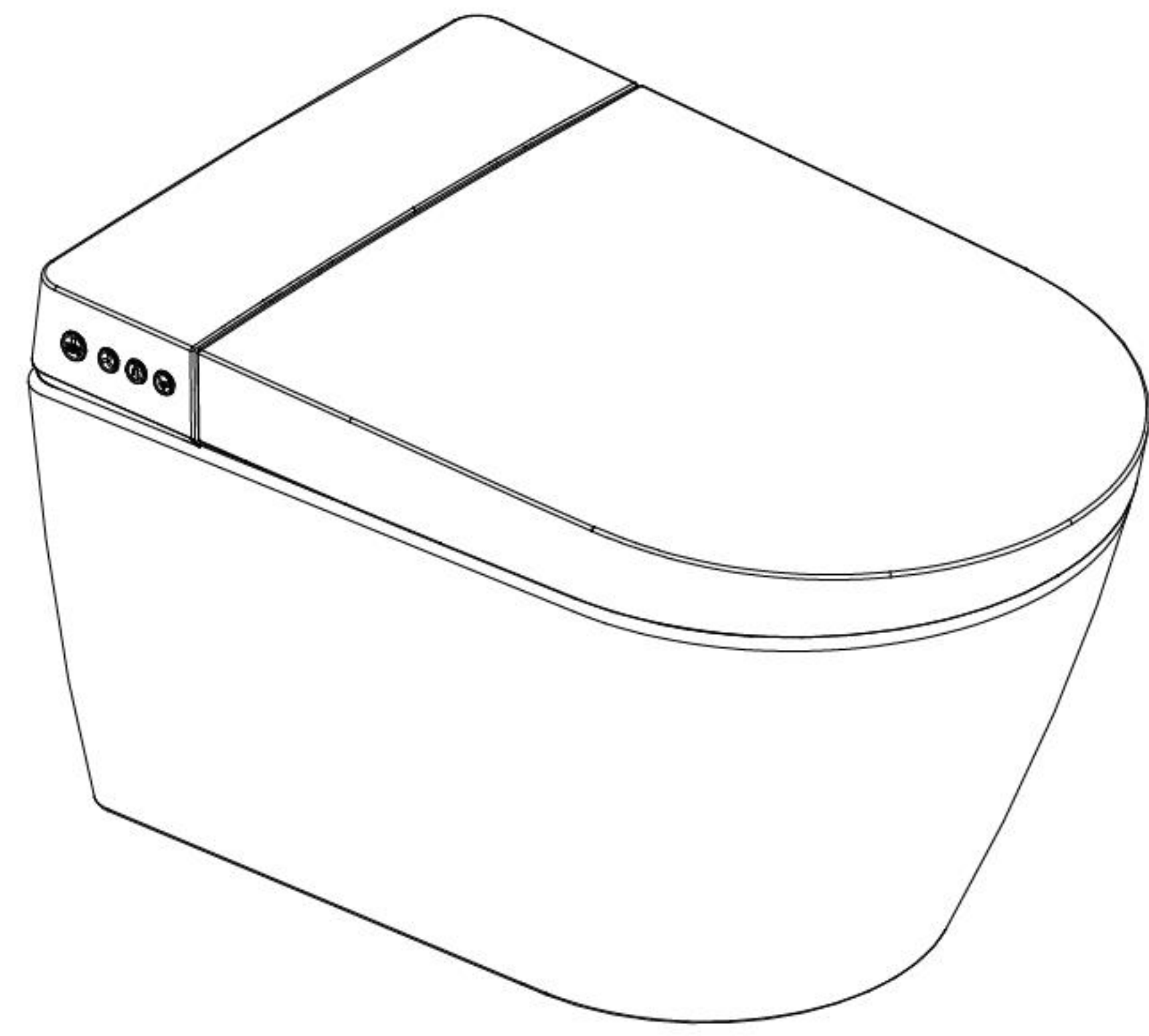
If repair or replacement of the cord or plug is necessary, do not connect the grounding wire to either flat-head terminal.

Check with a qualified electrician or serviceman if the grounding wire instructions are not completely understood, or if in doubt as to whether the product is properly grounded.

This product is factory equipped with a specific electric cord and plug to permit connection to a proper electric circuit. Make sure that the product is connected to an outlet having the same configuration as the plug. No adapter should be used with this product. Do not modify the plug provided — if it will not fit the outlet, please have the proper outlet installed by a qualified electrician. If the product must be reconnected for use on a different type of electric circuit, the reconnection should be made by qualified service personnel.

SAVE THESE INSTRUCTIONS

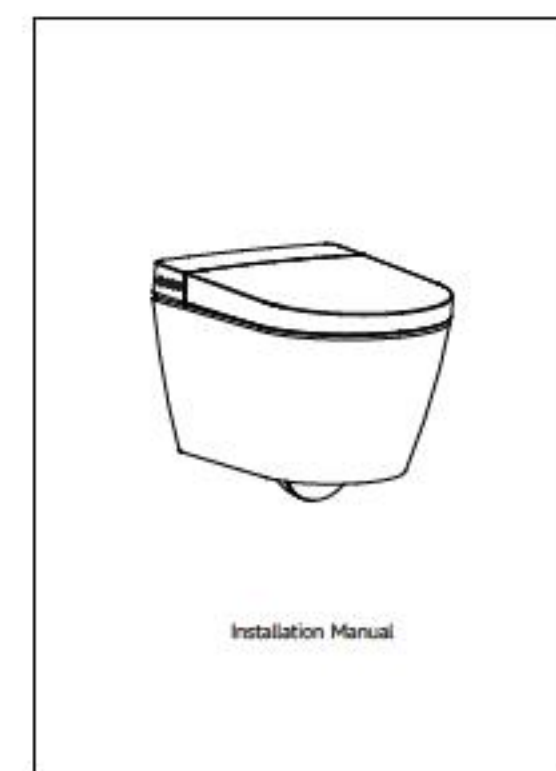
List of materials



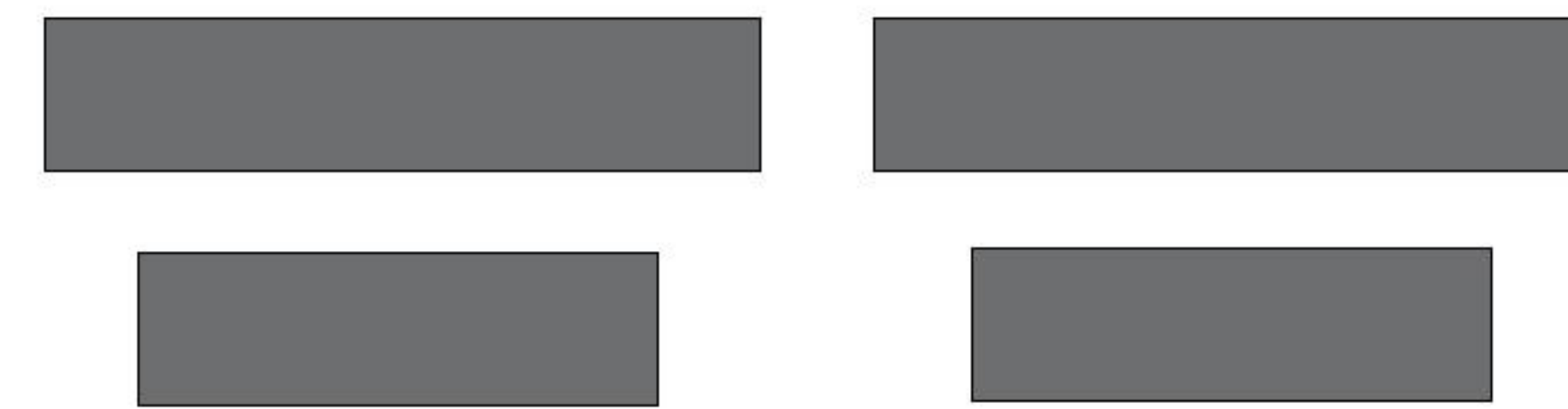
Main Unit



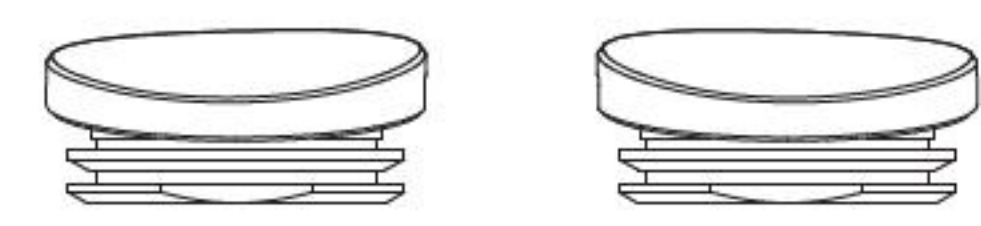
Remote Control Components



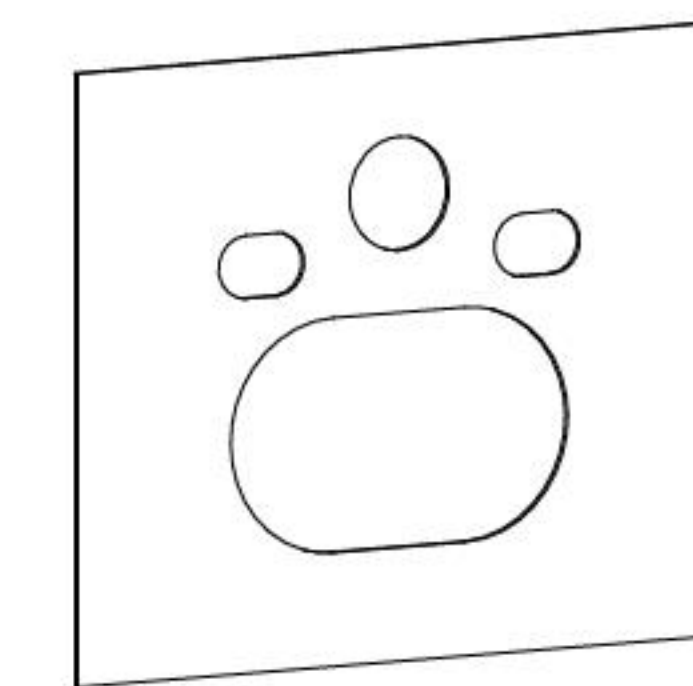
Installation Manual



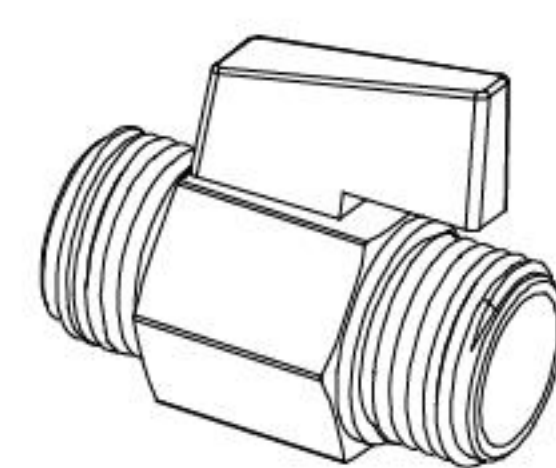
Velcro



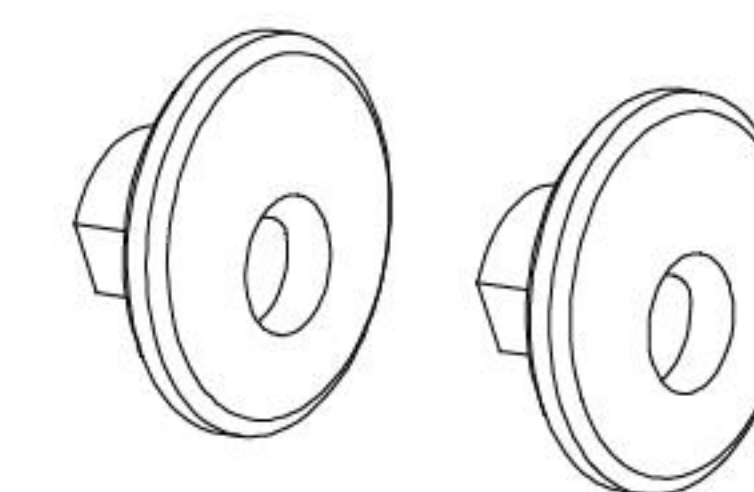
Decorative Cap



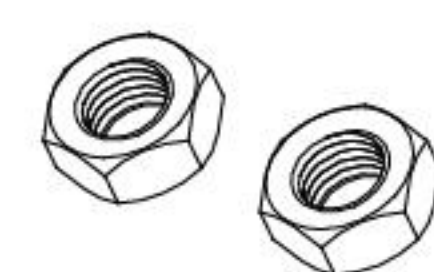
Pad



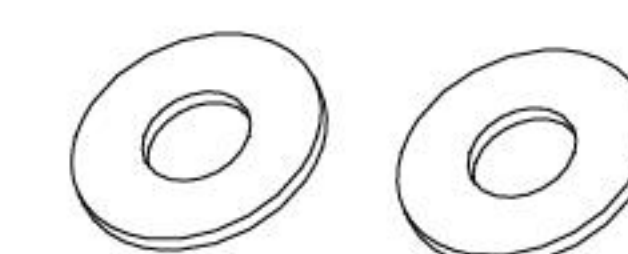
Ball Valve



Transition Piece

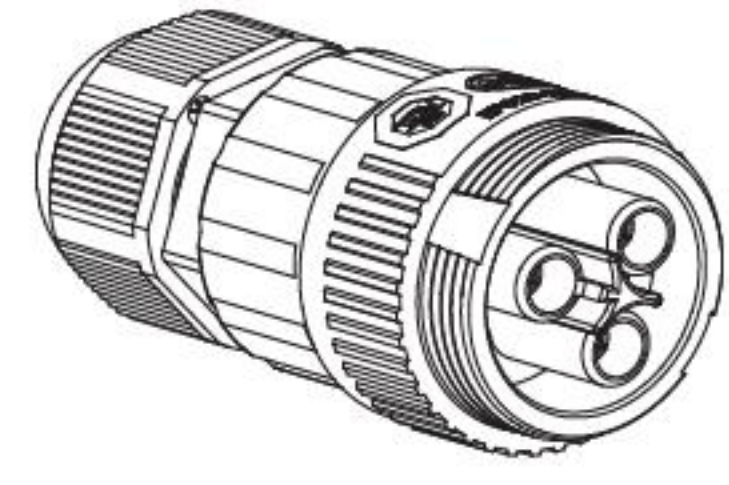


Locking Nut (M12)

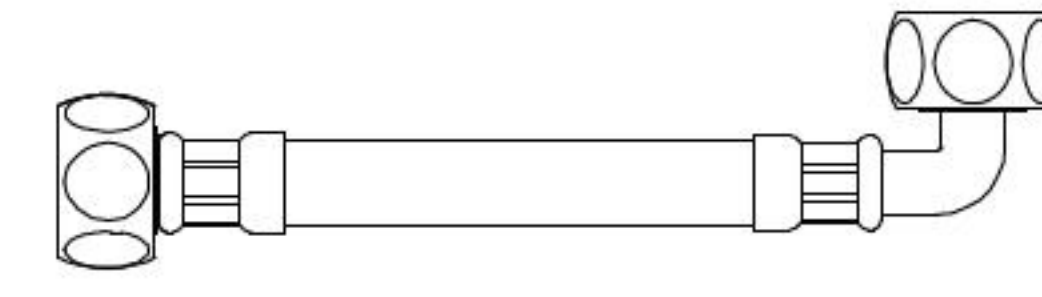


Flat Washer

List of materials

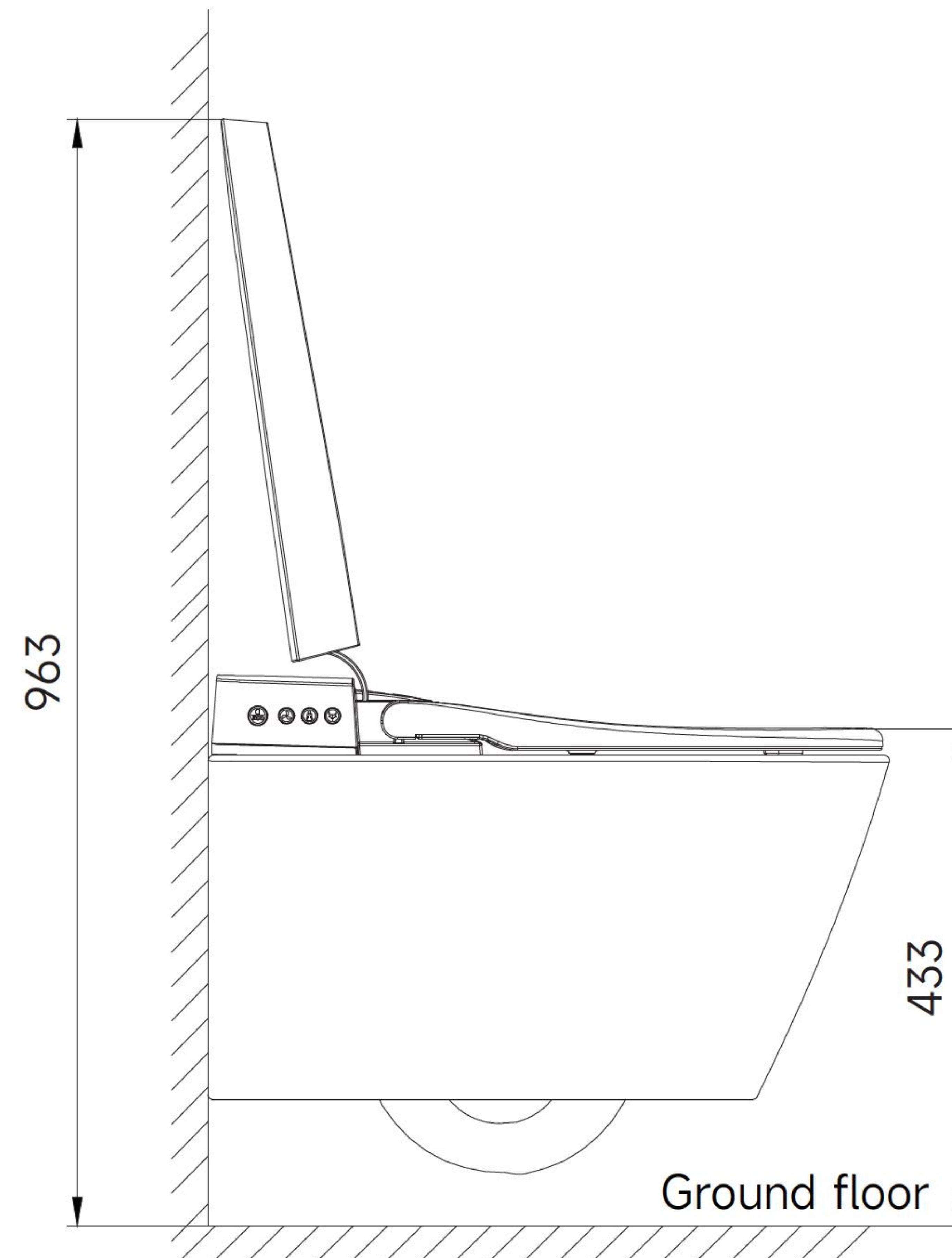
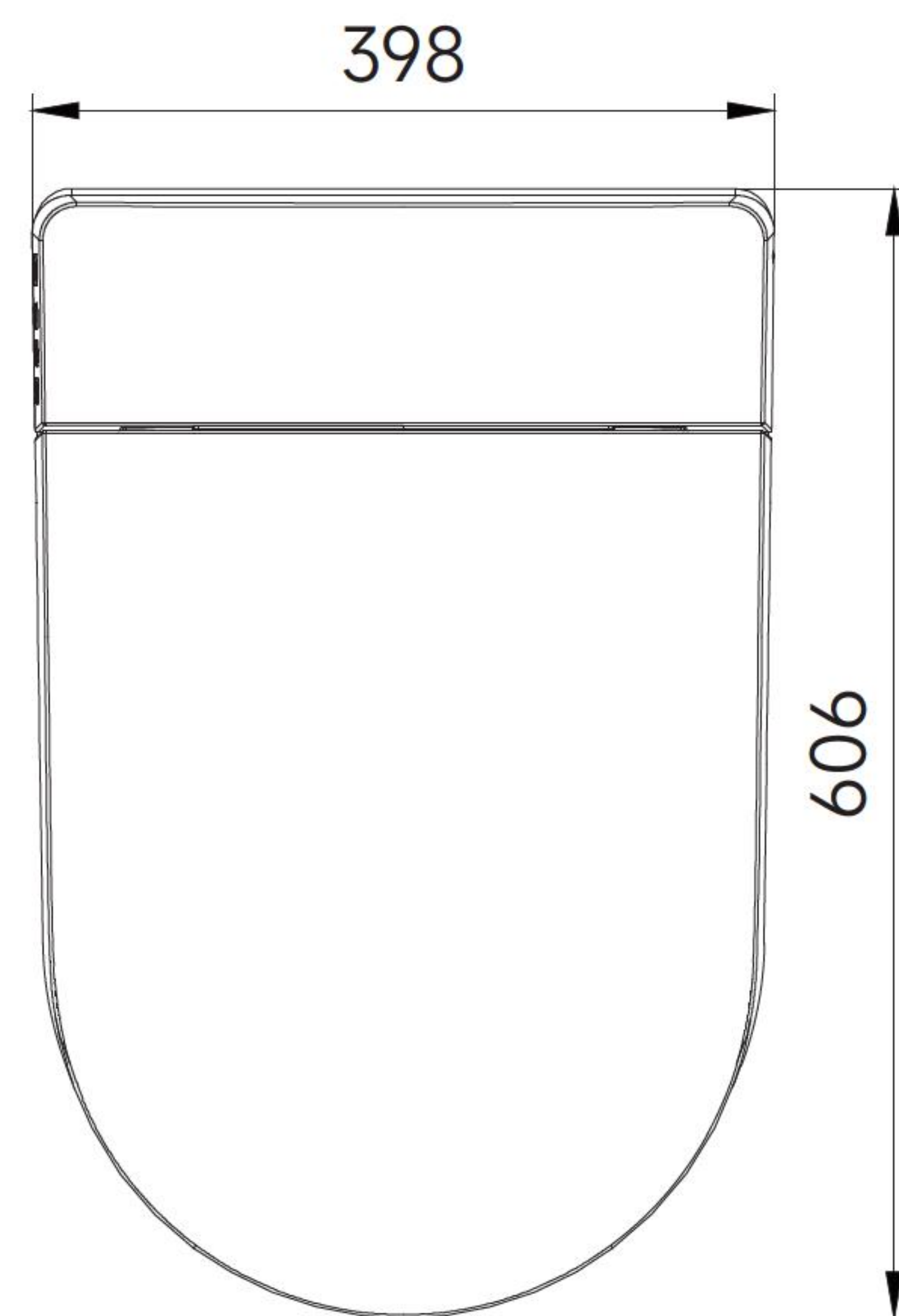
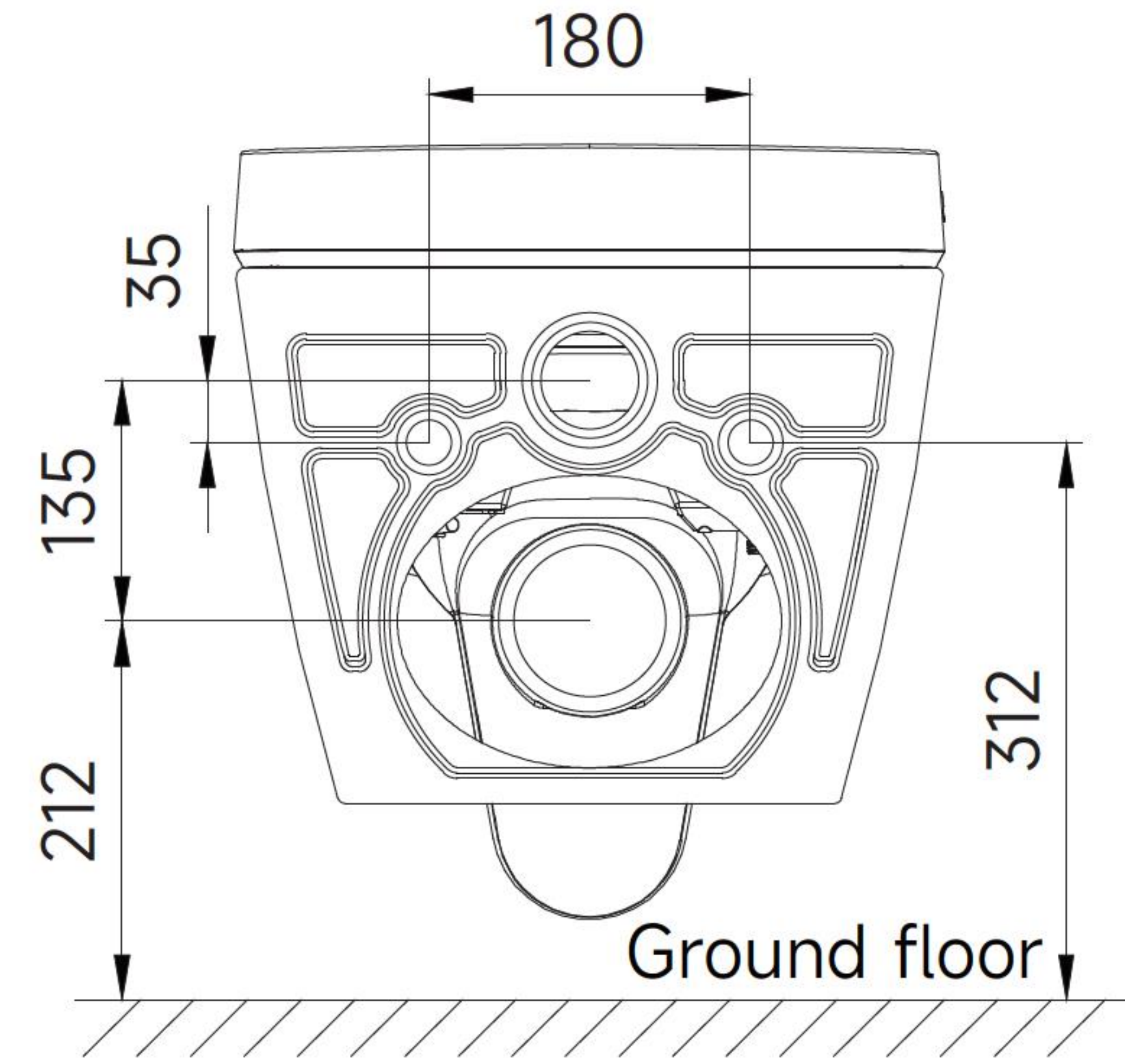
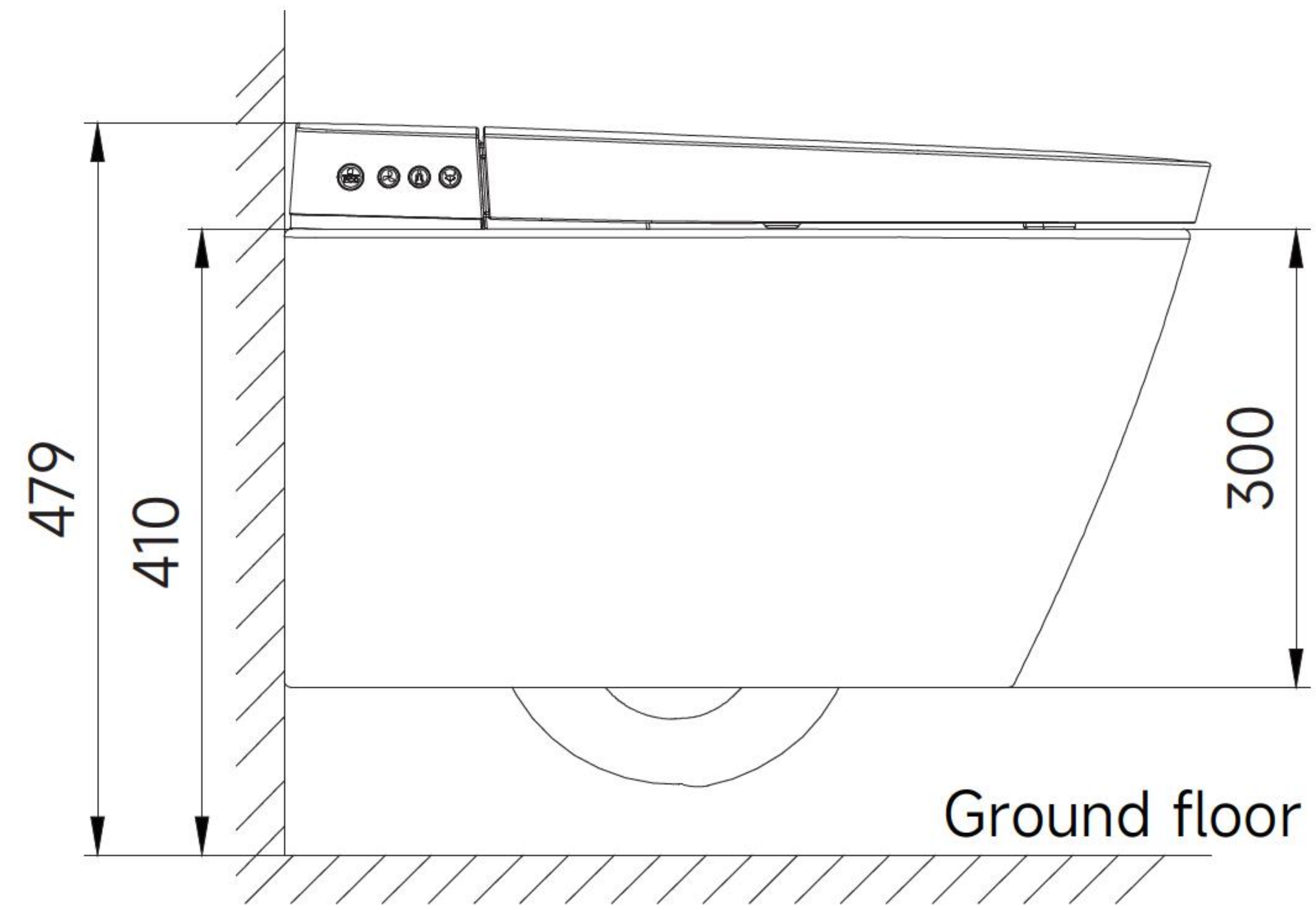


Connector (female)

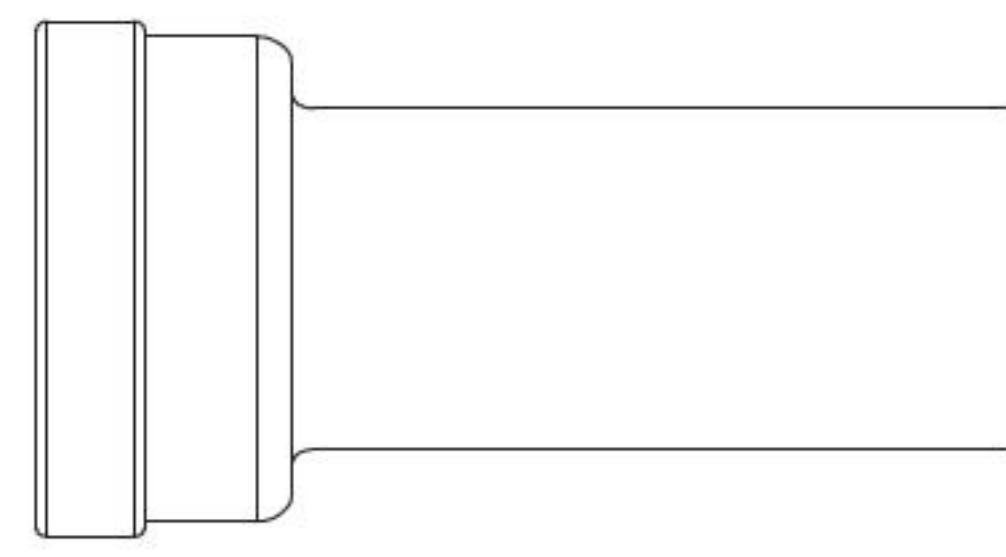


Hose

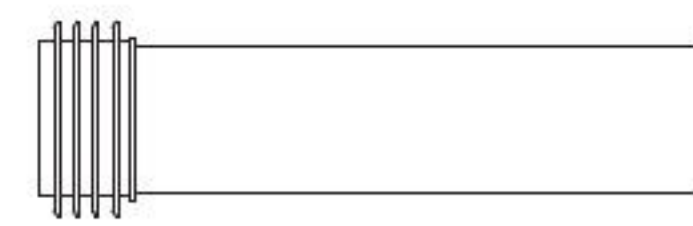
Technical drawings (Unit: mm)



Required accessories for in-wall carrier



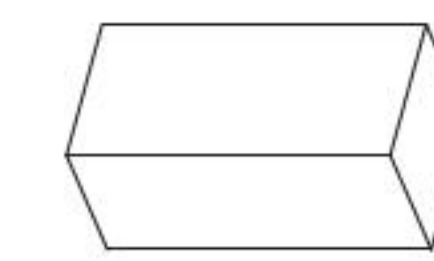
Extended drain pipe
+
Gasket



Flush pipe
+
Gasket

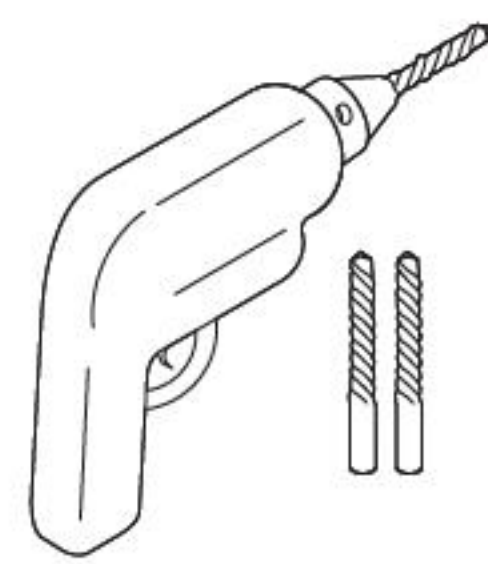


Bolts
(with protective sleeve)

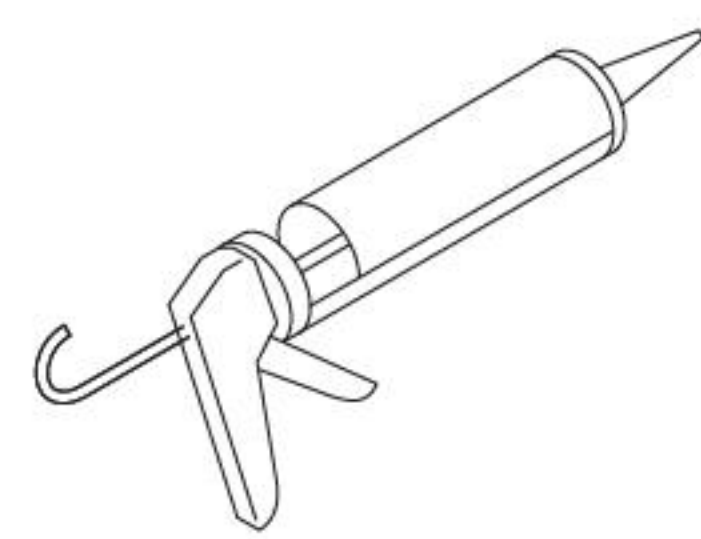


Silicone sponge

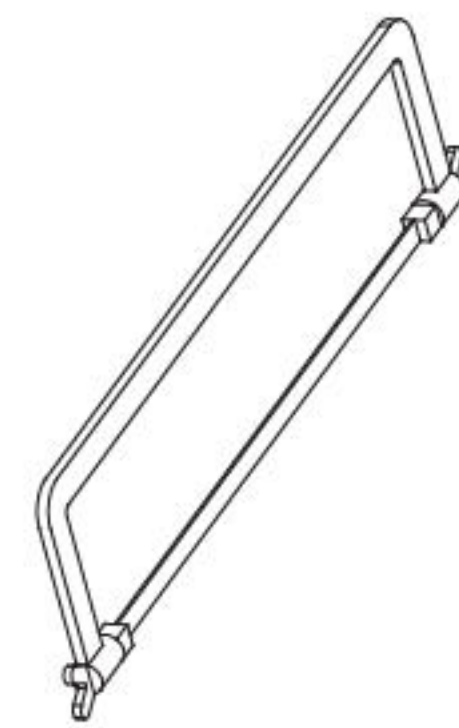
Installation tools



Drill
(with 1/4" drill bit)



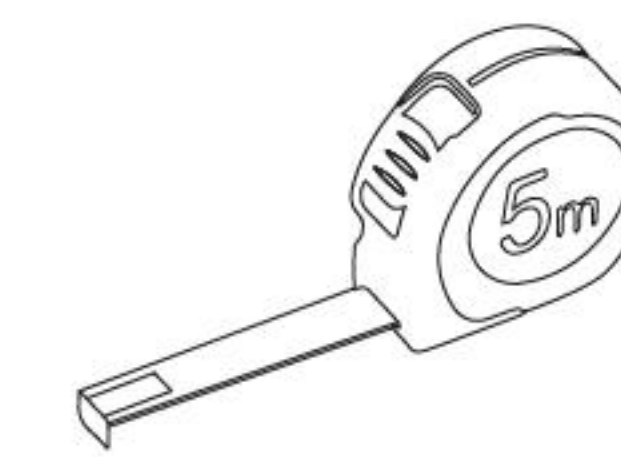
Caulk gun



Saw



Marker



Tape measure



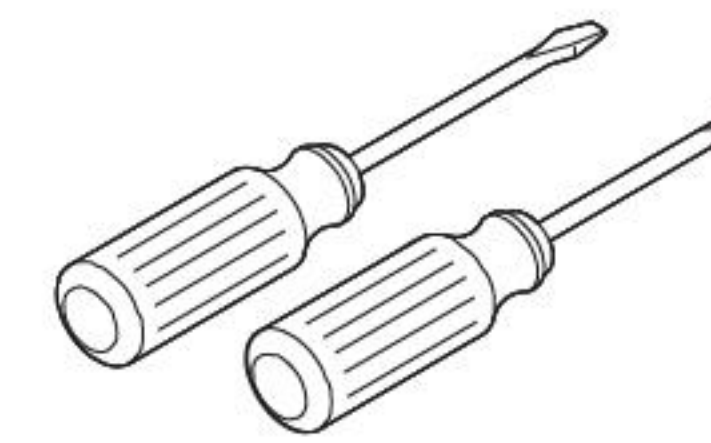
Assorted spanners



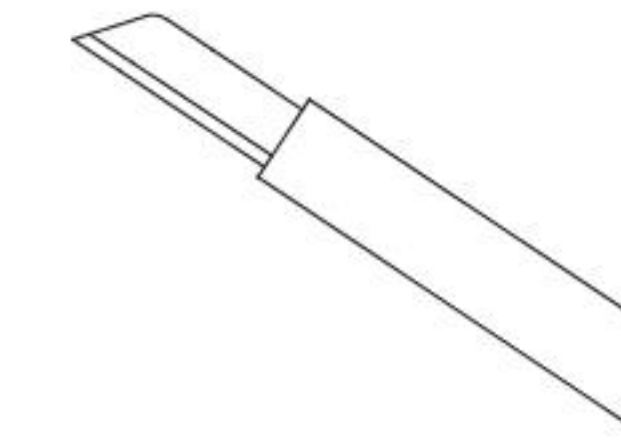
Wire stripper



File



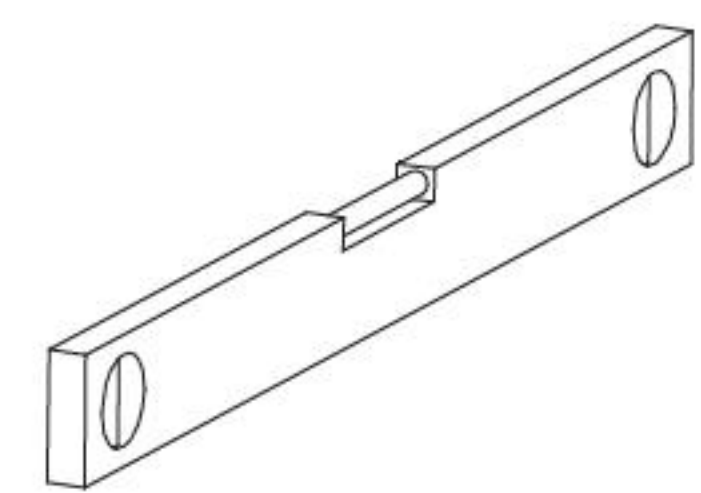
Assorted screwdrivers



Cutter



Teflon tape

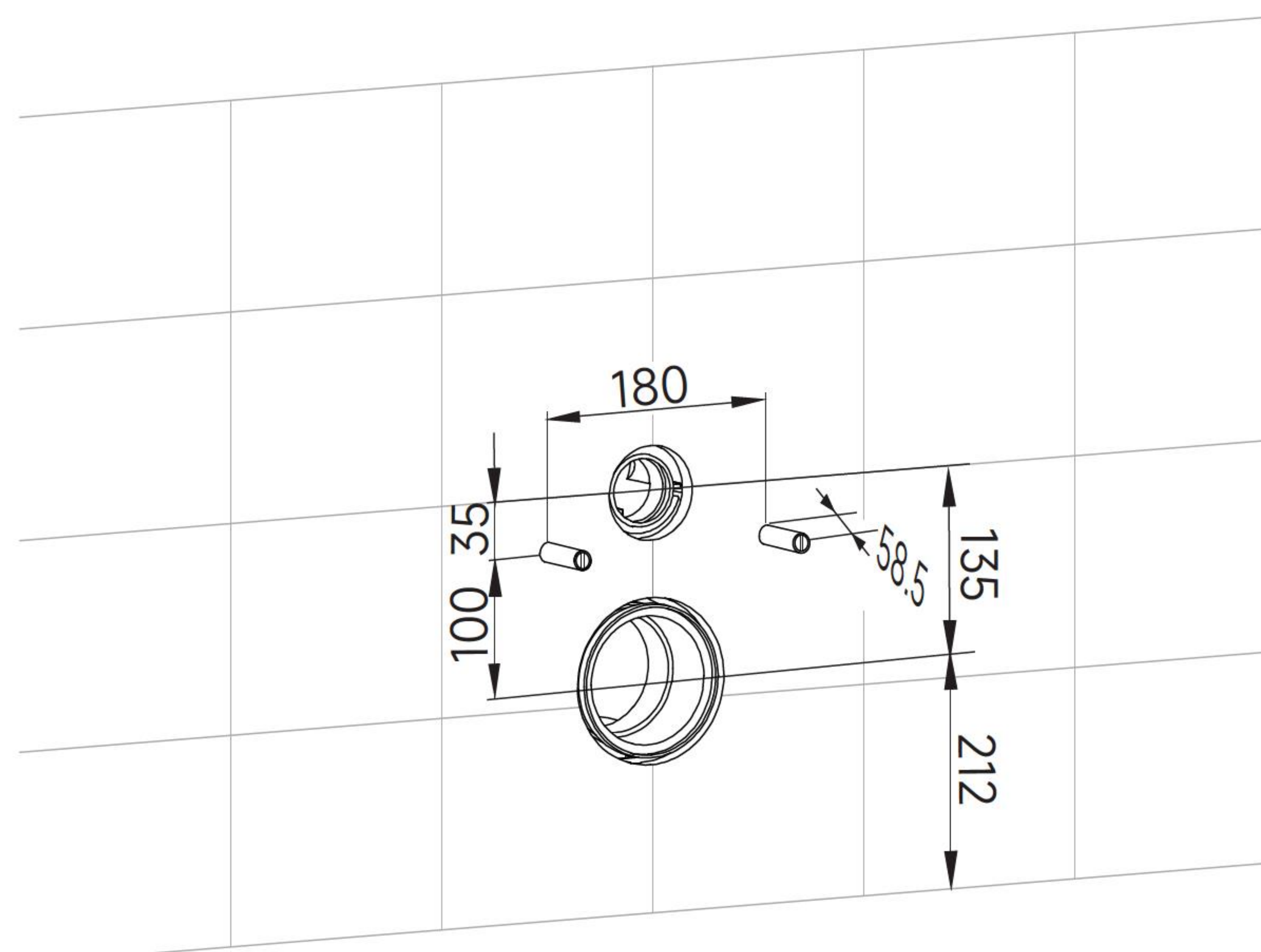


Level ruler



Ruler

Installation dimensions (Unit: mm)



Pre-installation confirmation (unit: mm)

Circuit pre-installation: Install a fixed electrical supply circuit (Neutral wire, live wire and ground wire included.)

- Confirm the electrical connection location.
- Reserve pipeline for electrical circuit

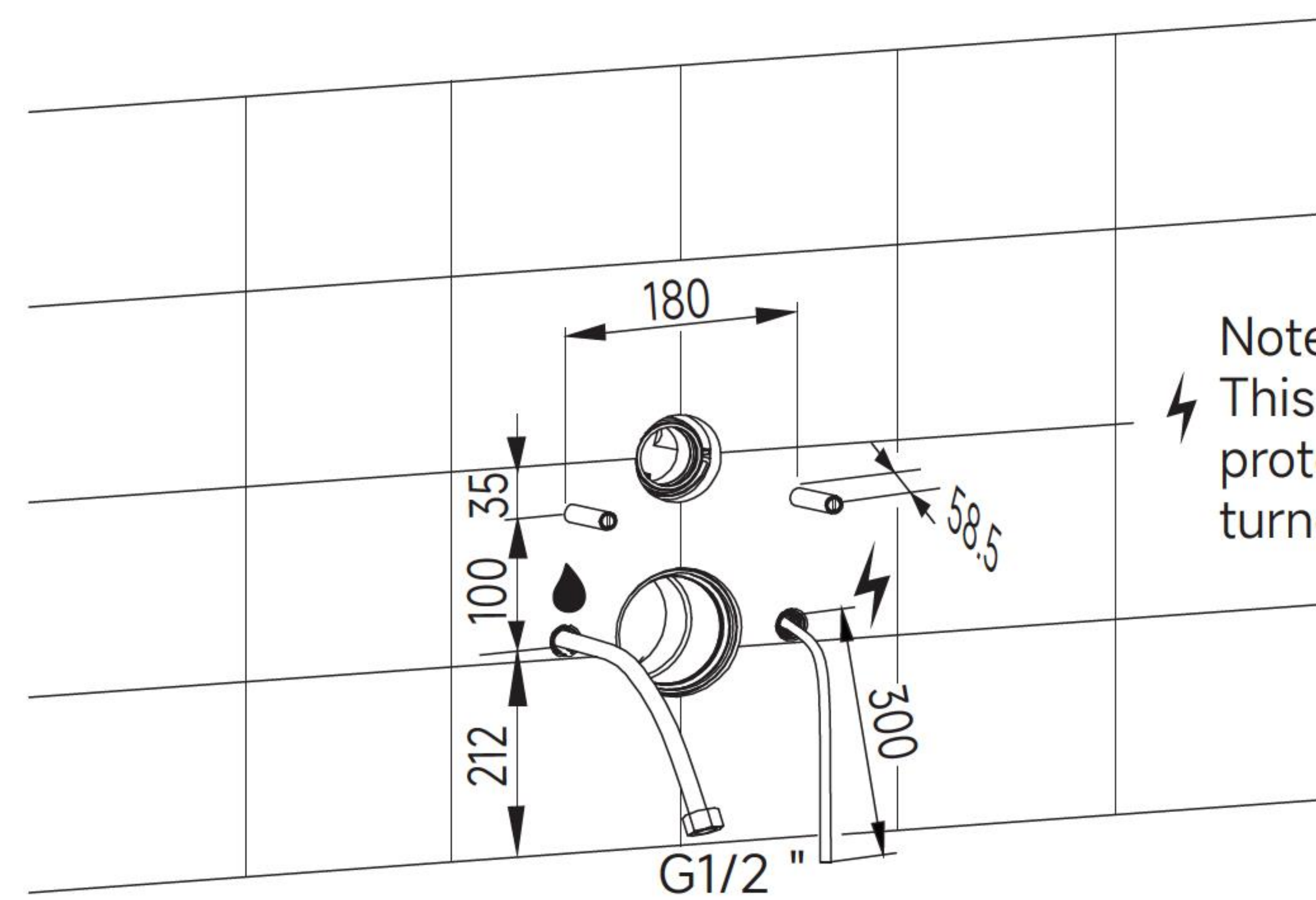
Circuit breaker pre-installation

- Connect a separate upstream circuit breaker.
- Pre-connect an earth leakage circuit breaker or grounding protector for other independent circuits.

Waterway pre-installation

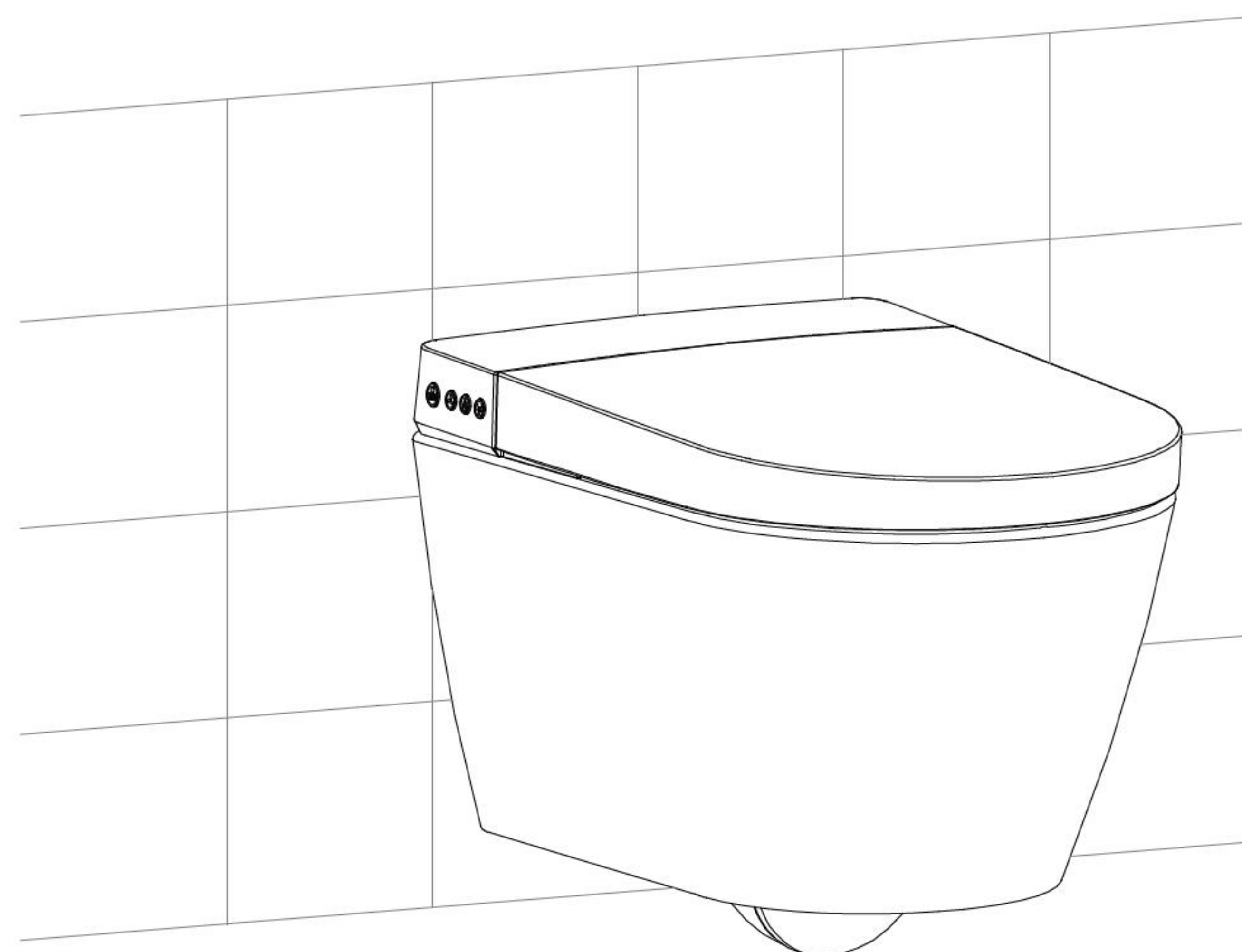
- Reserve pipeline for water supply hose.

Water & Electricity pre-installation dimensions



Note:
⚡ This circuit must have a leakage protection function and can be turned off separately.

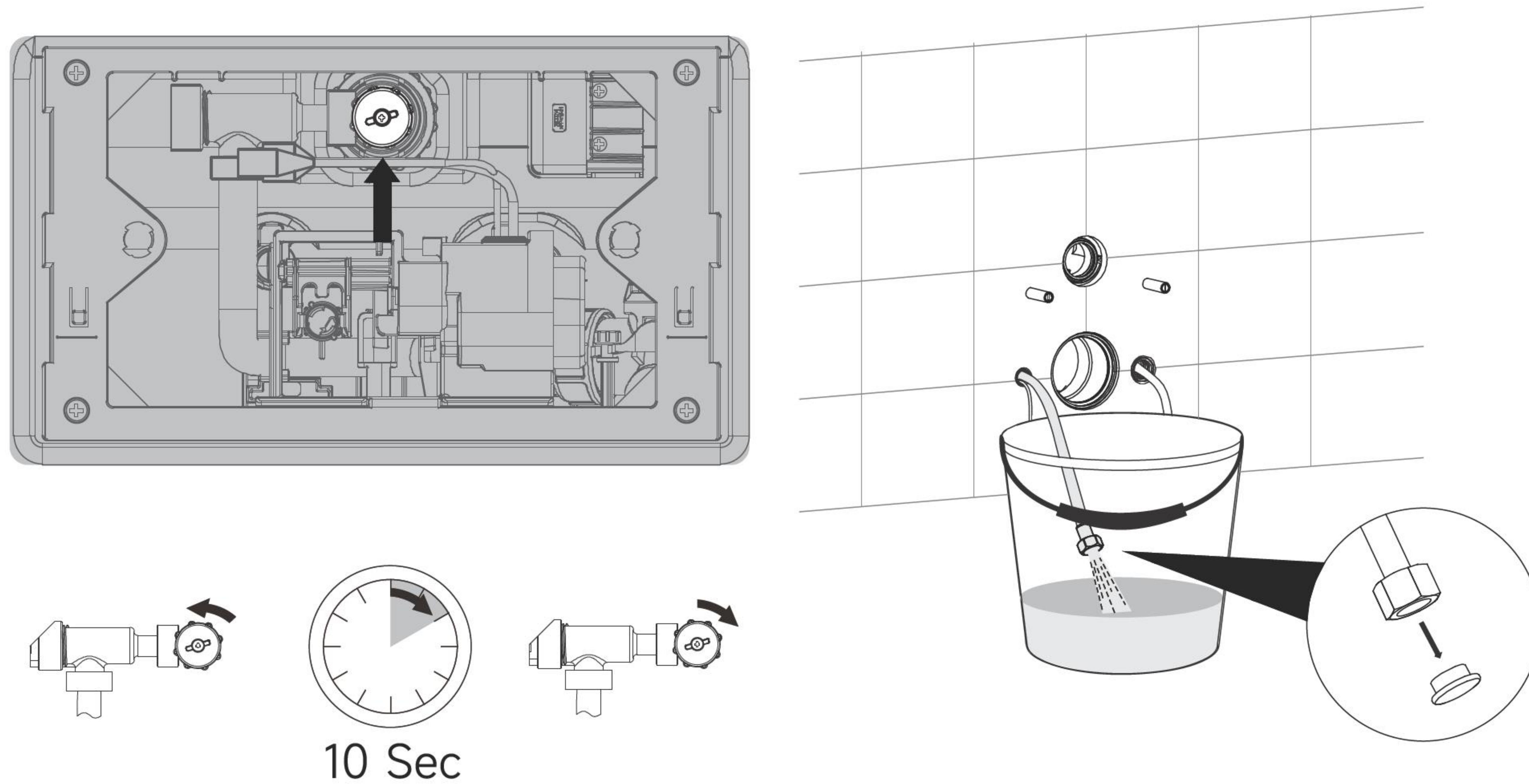
After installation



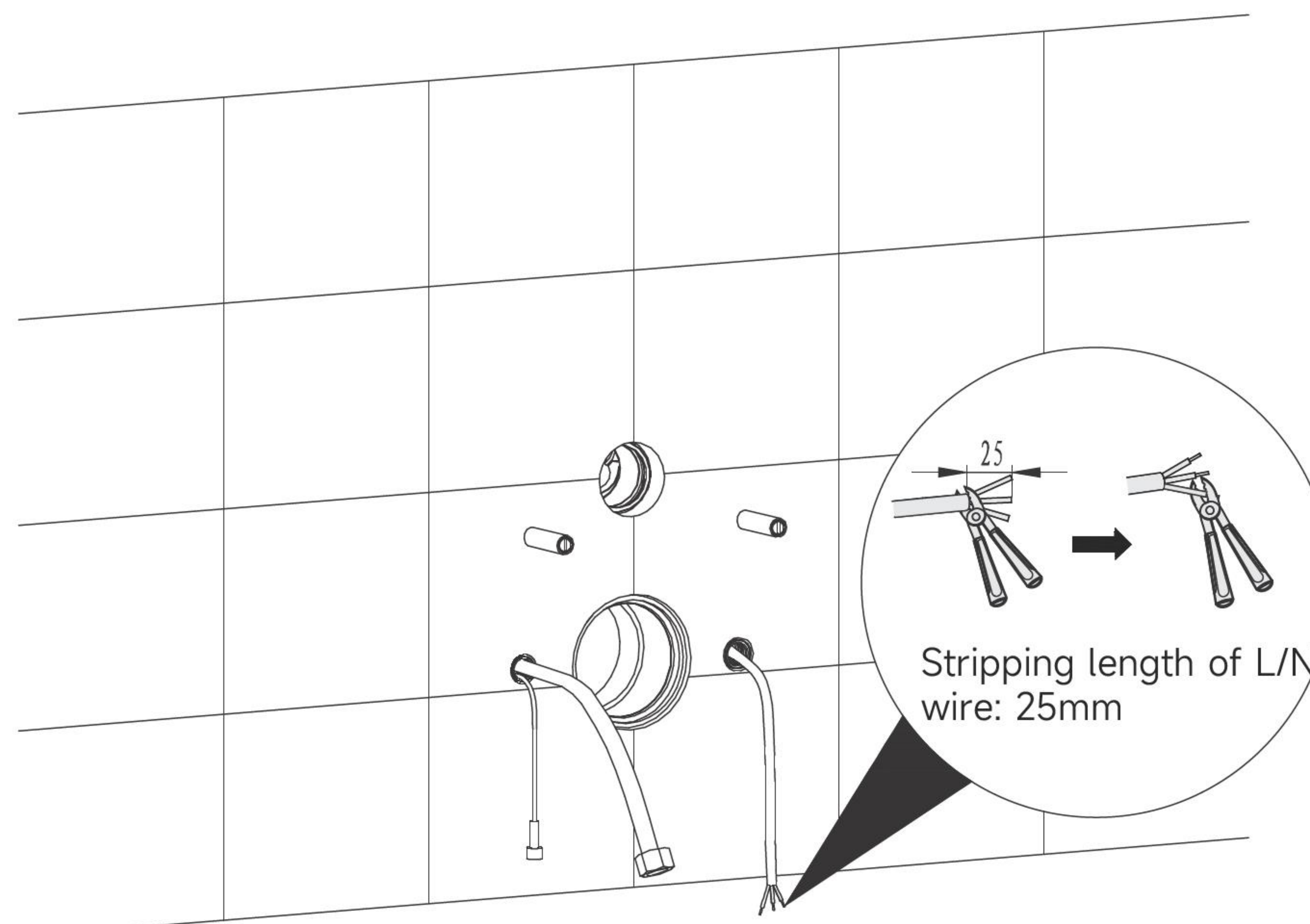
Before Installation

1. Minimum static water pressure: 0.08+MPa (8.5+L/min), failure to meet this pressure will not achieve the best flushing effect.

Note: Apply the methods below if you don't have water pressure testing device. Open the angle valve to check the water volume. If the water volume after 10 seconds is greater than 1.42L, then it is OK to proceed installation.



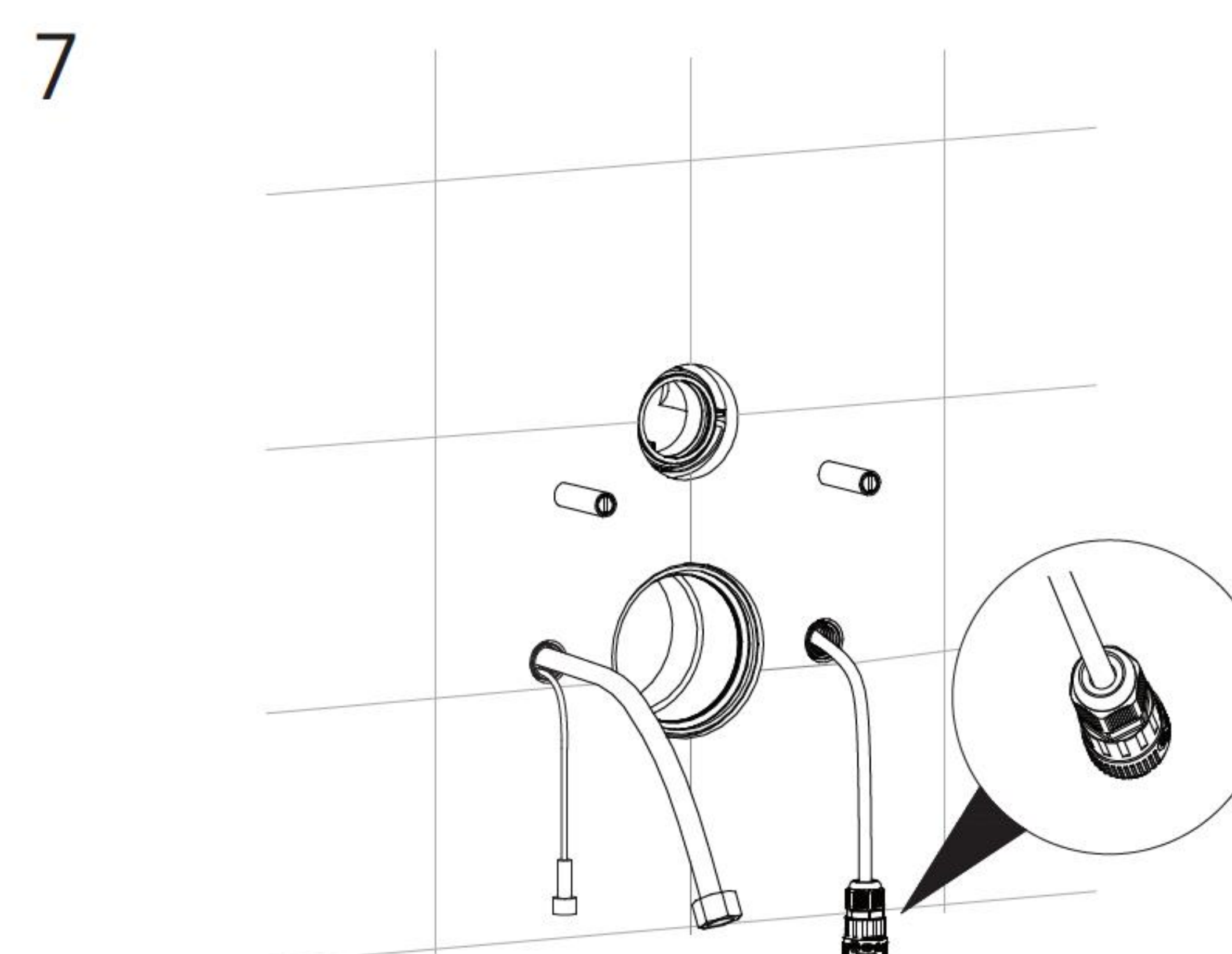
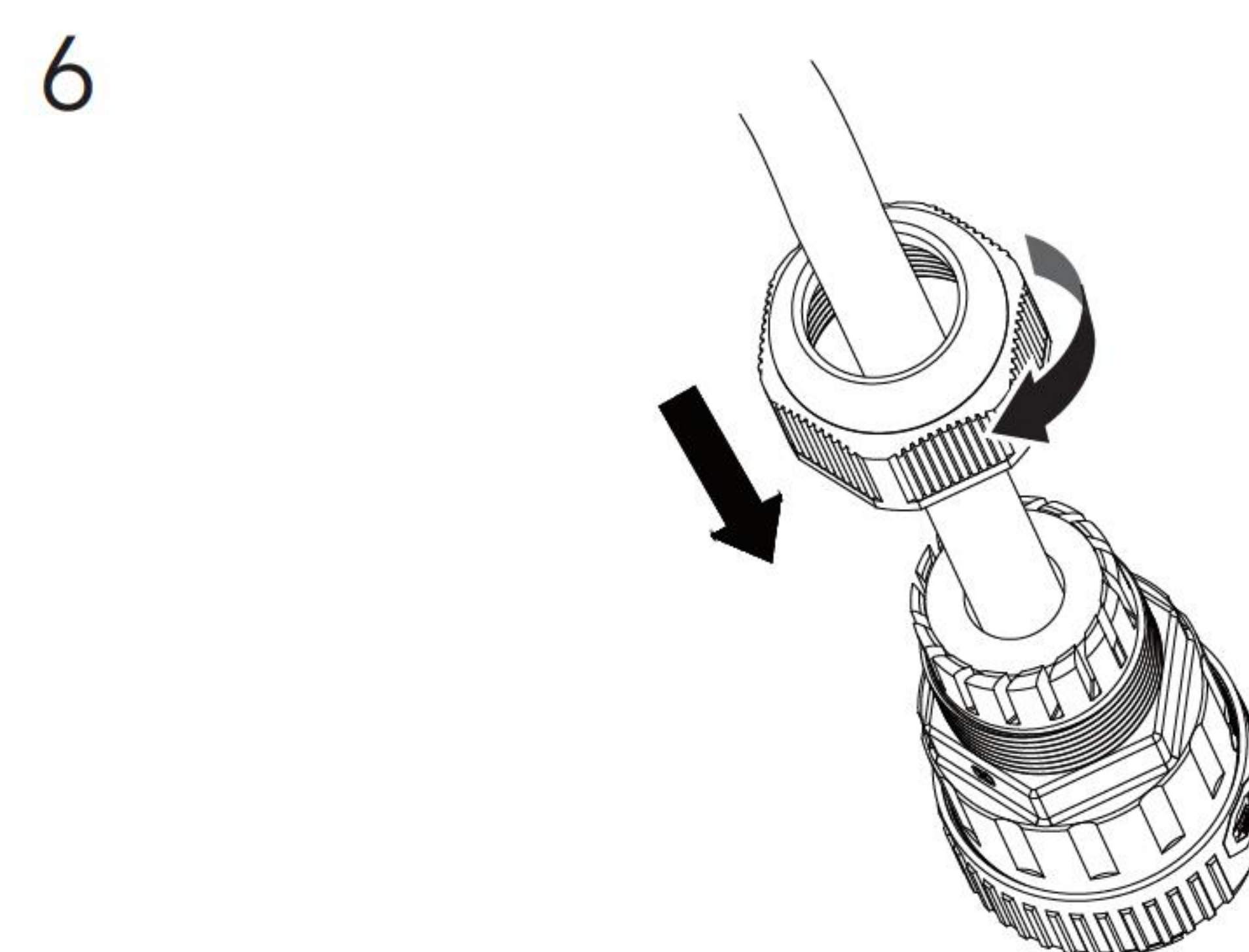
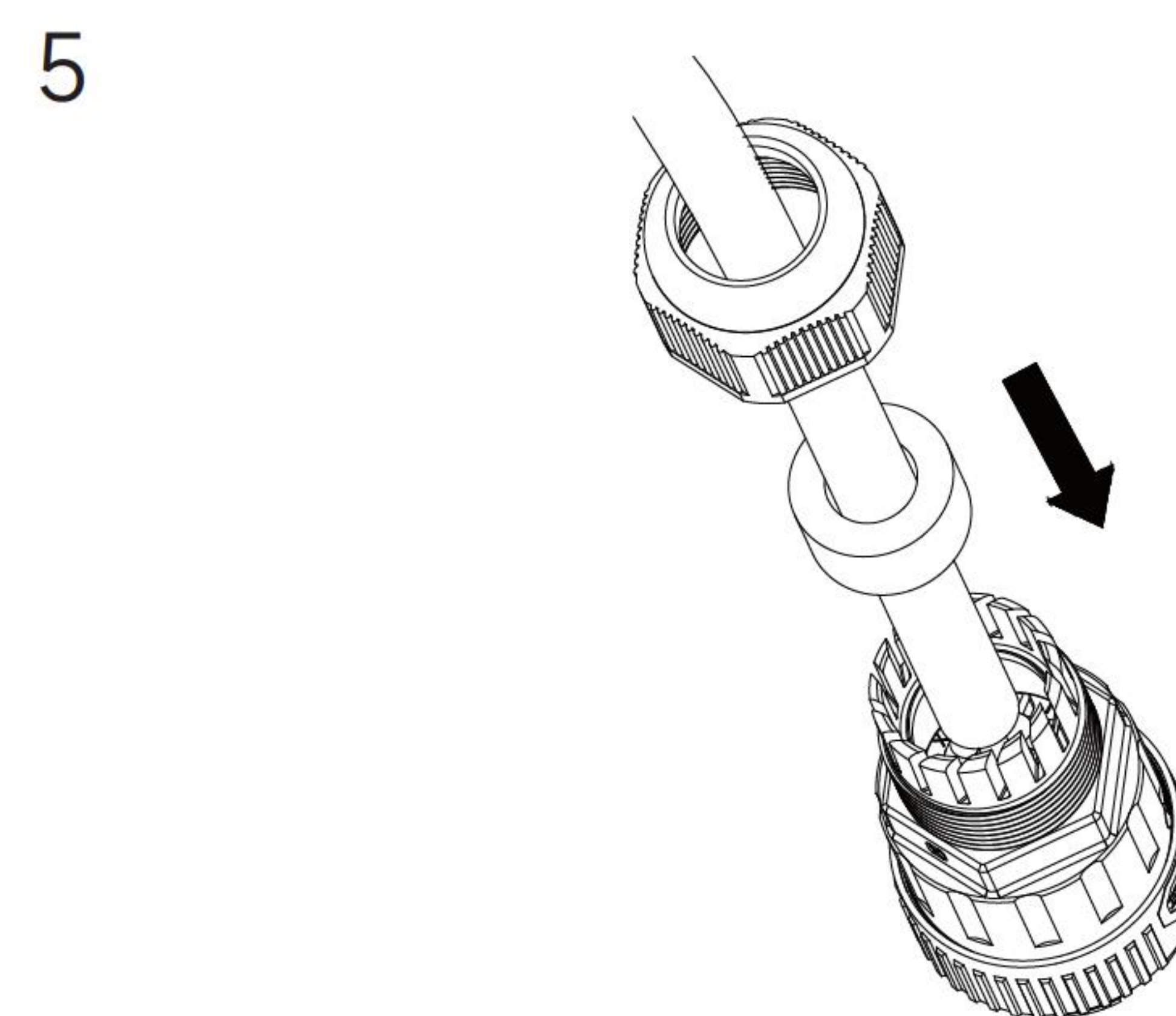
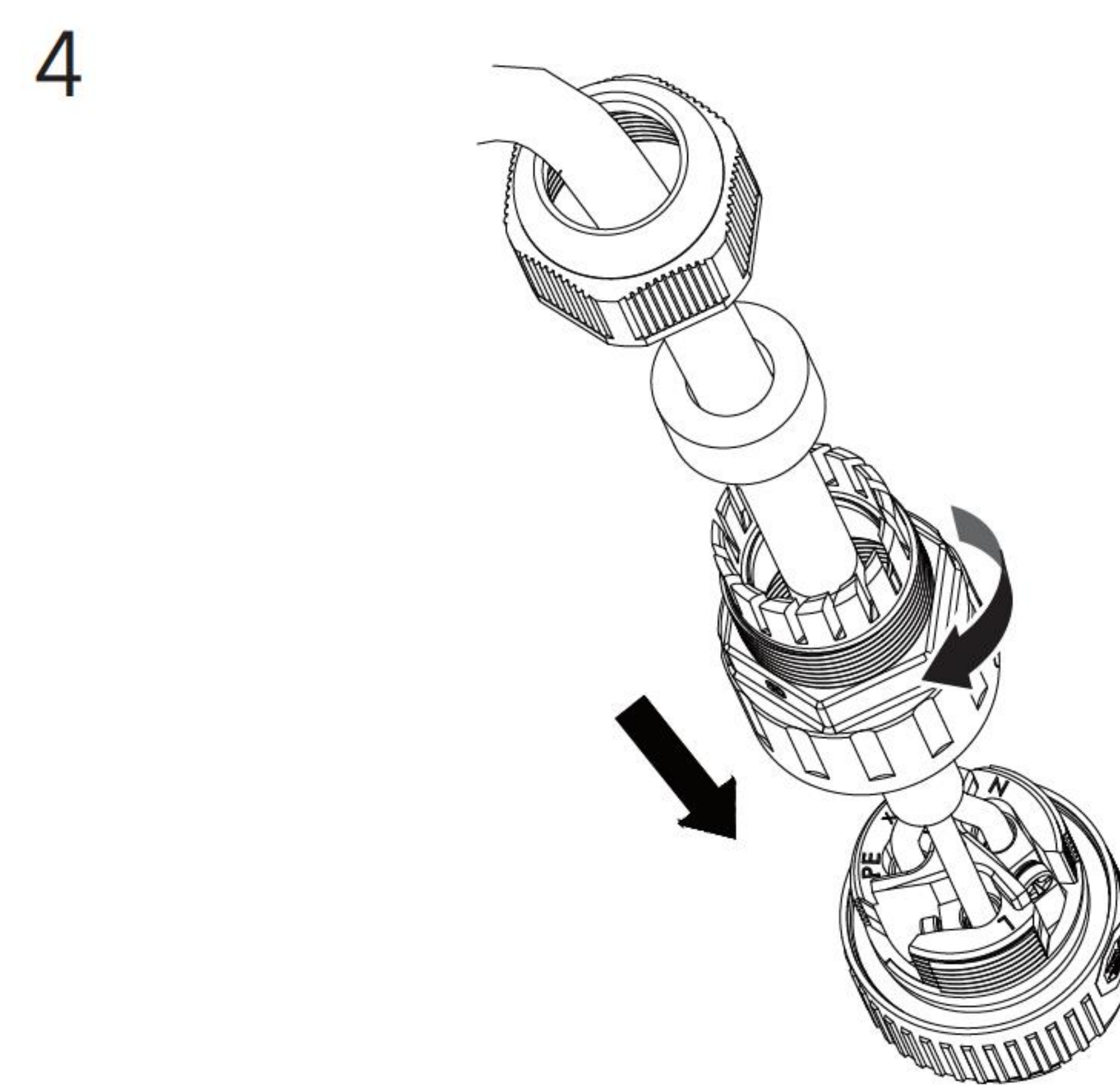
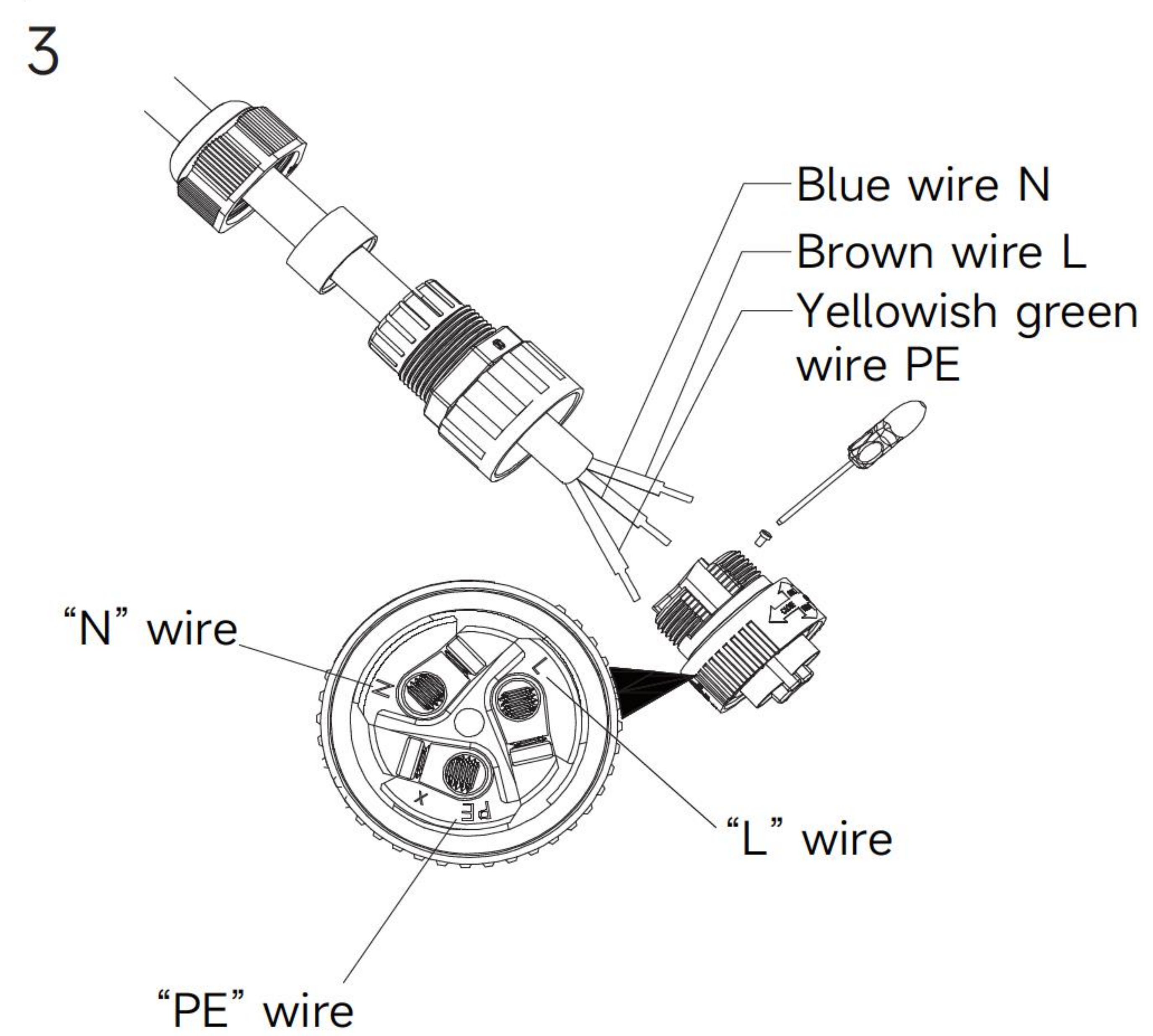
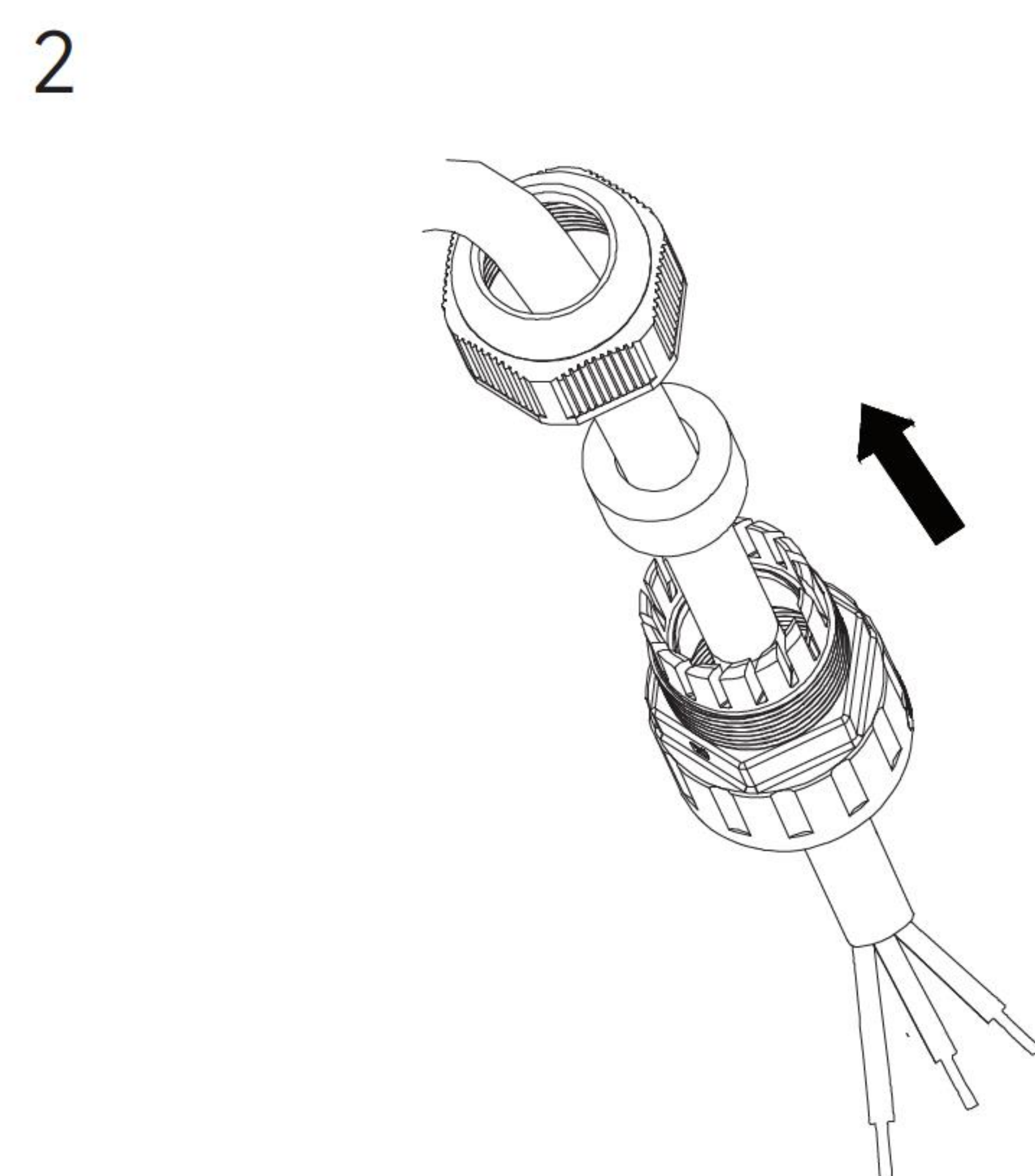
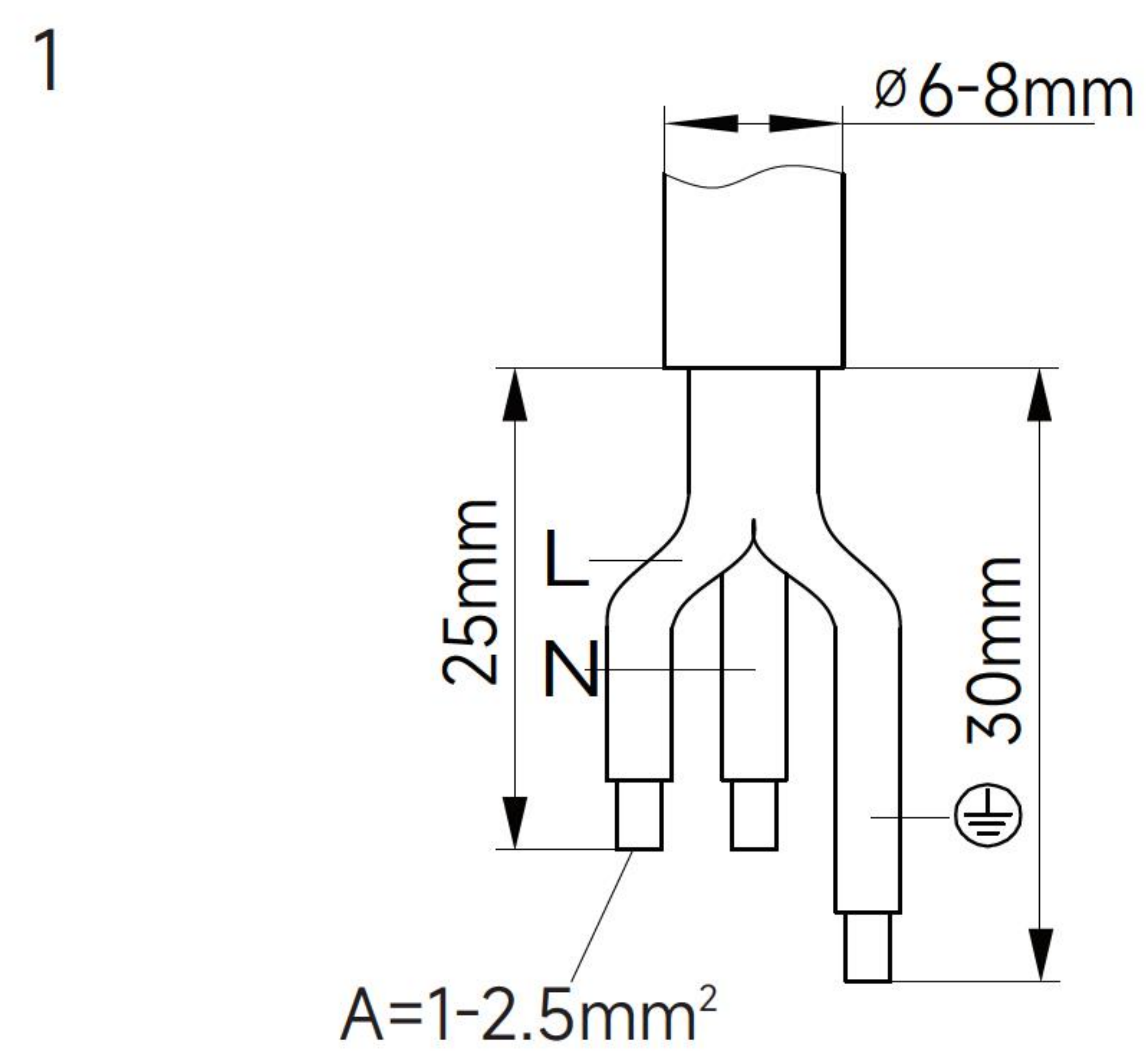
2. Pass the cord through the wall and then strip the cord to ensure the ground wire is 5mm longer than neutral wire and live wire.



Connector installation

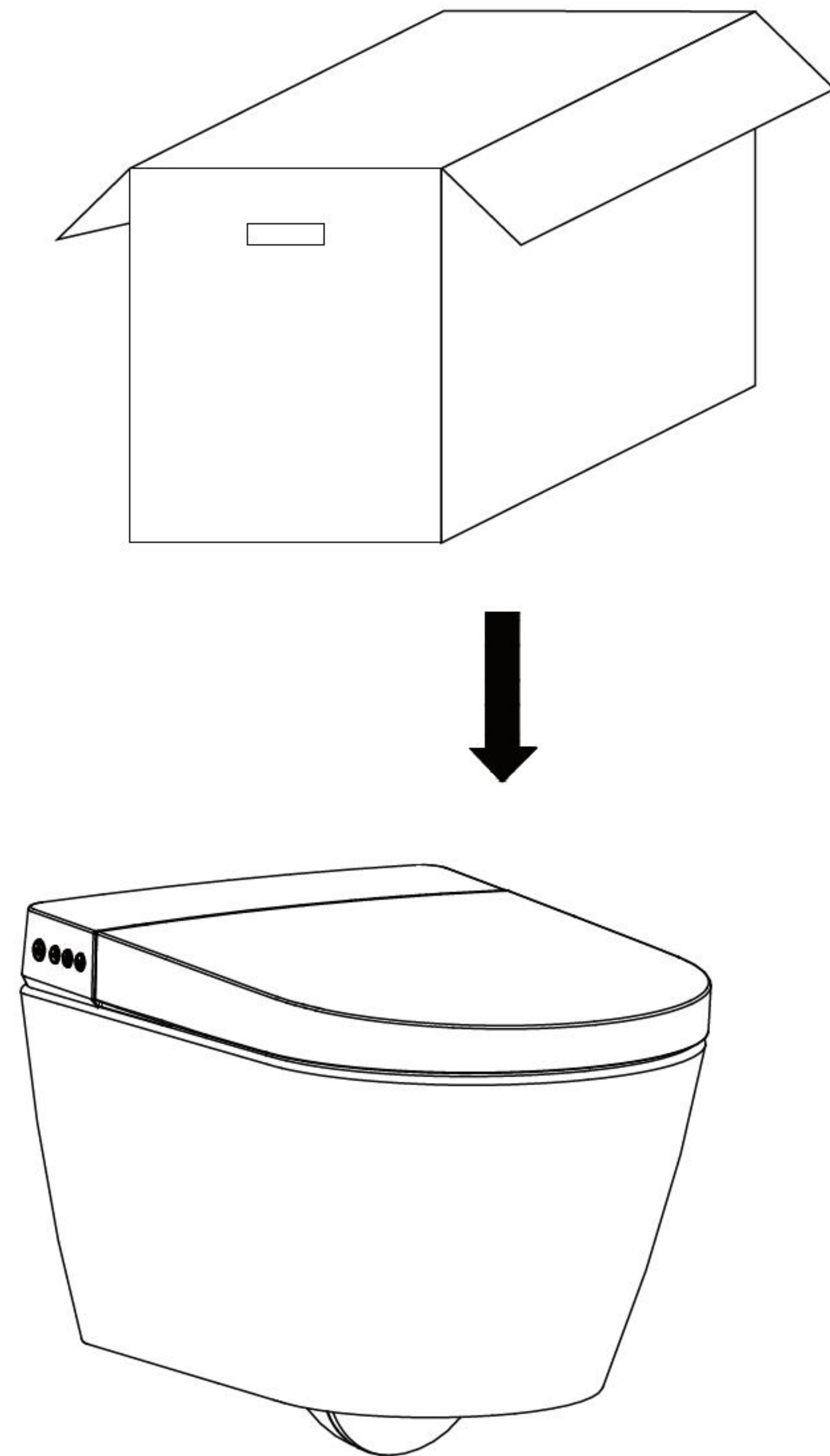
 **DANGER** – Risk of electric shock

This device can only be used with a properly grounded outlet or fixed connection.

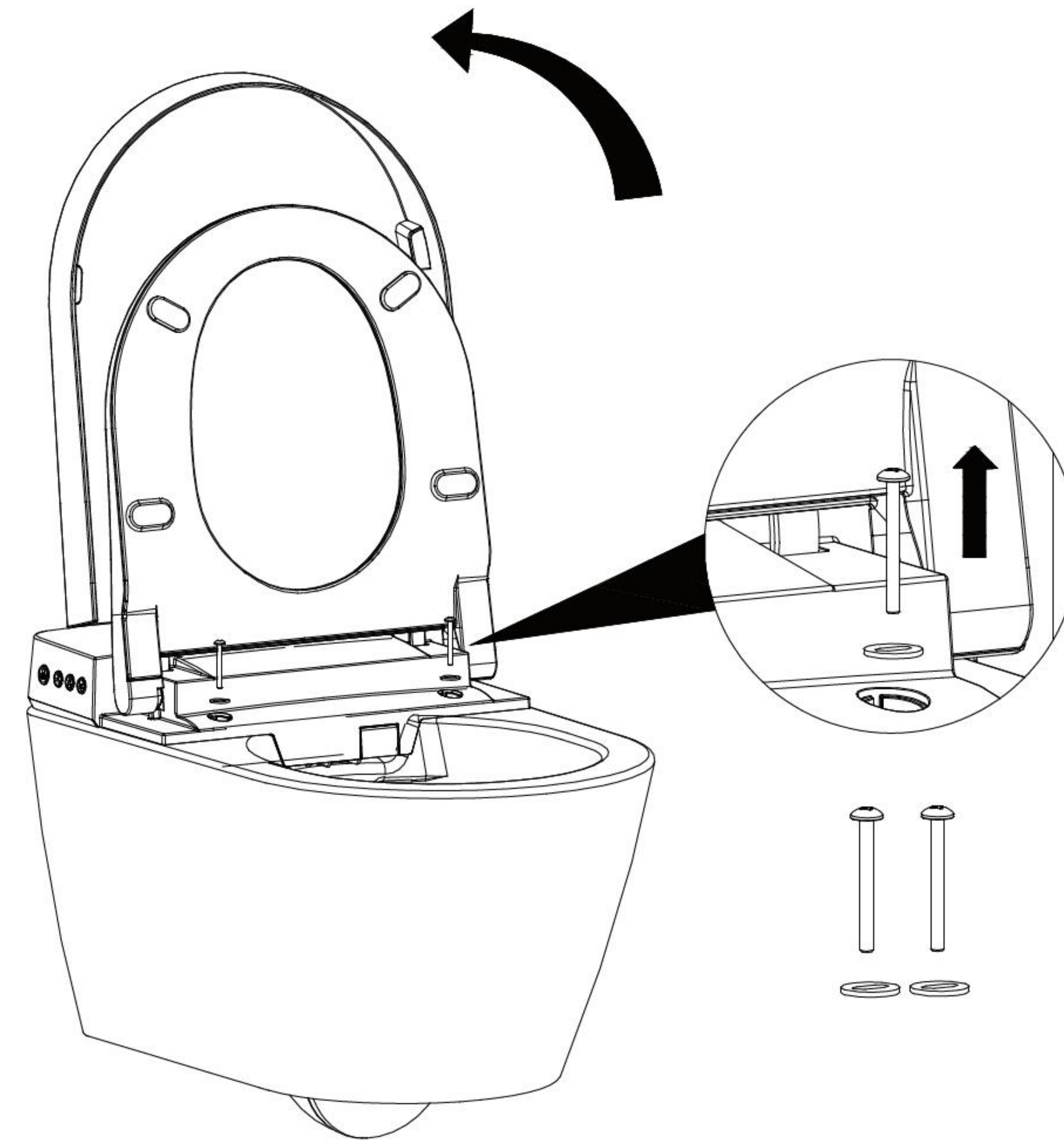


Installation Procedures

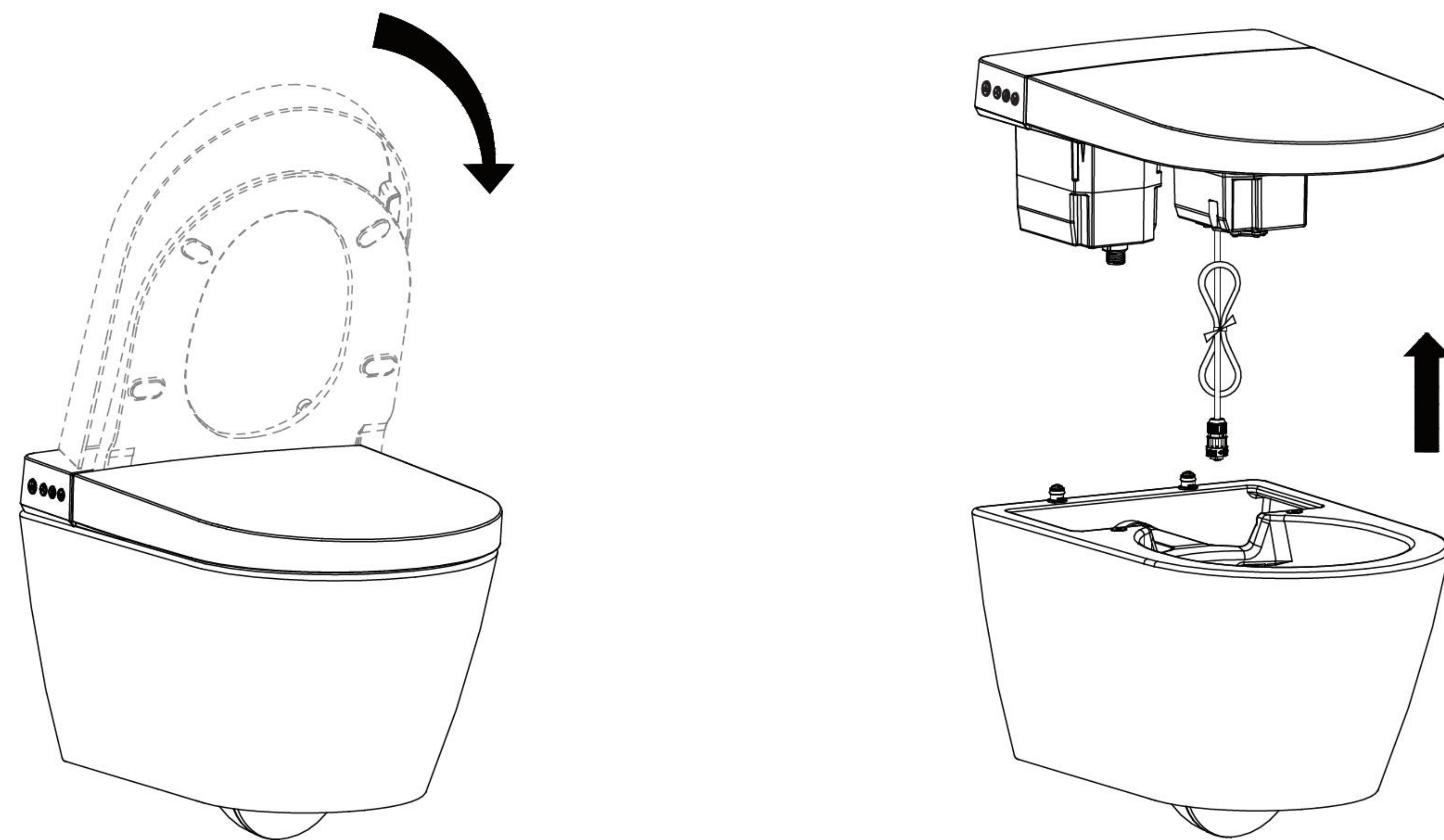
1. Unpack and confirm the list of materials.



2. Open cover and seat, then remove screws and washers.

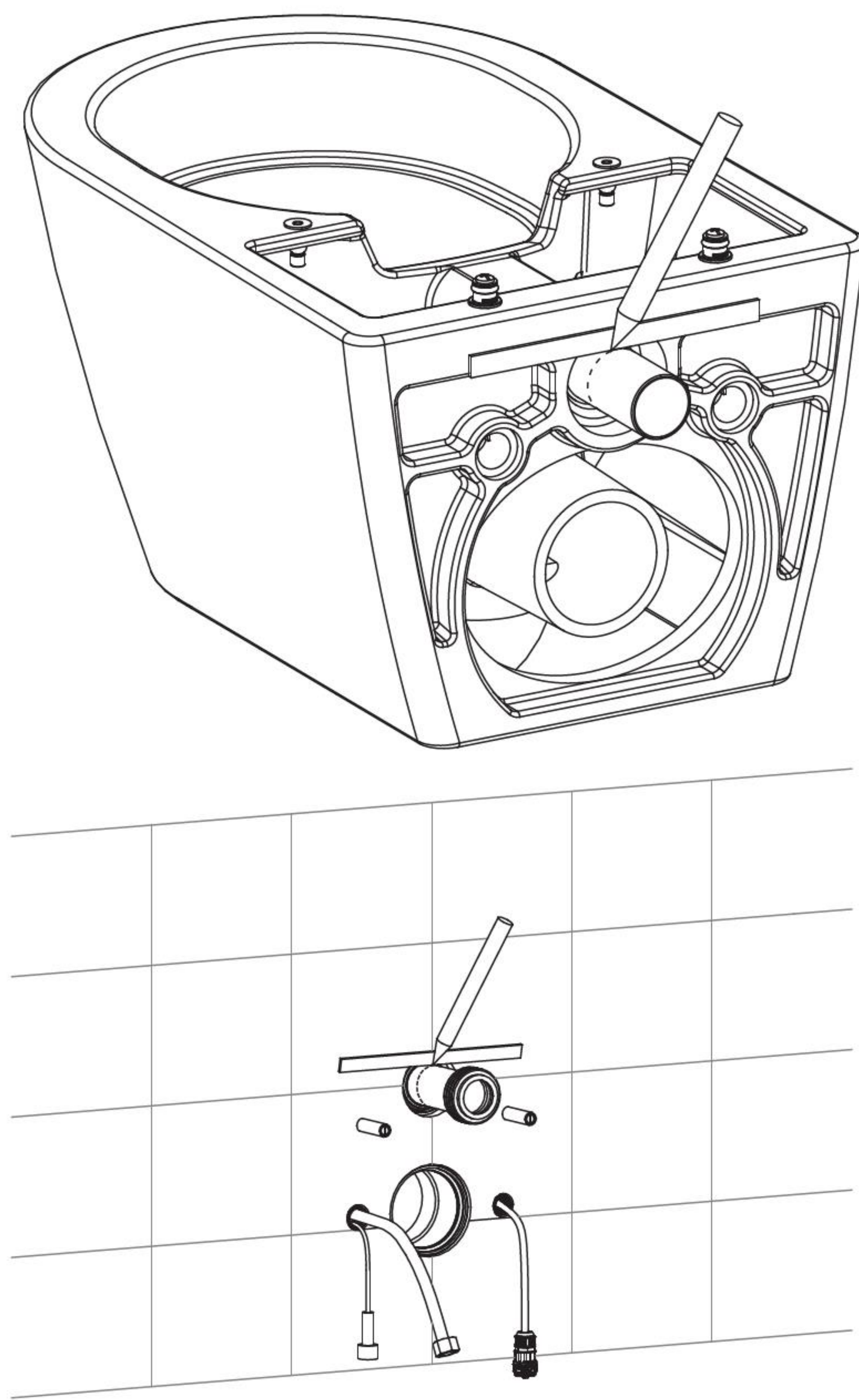


3. Close lid and seat, and then remove the bidet. Be careful not to damage the product.

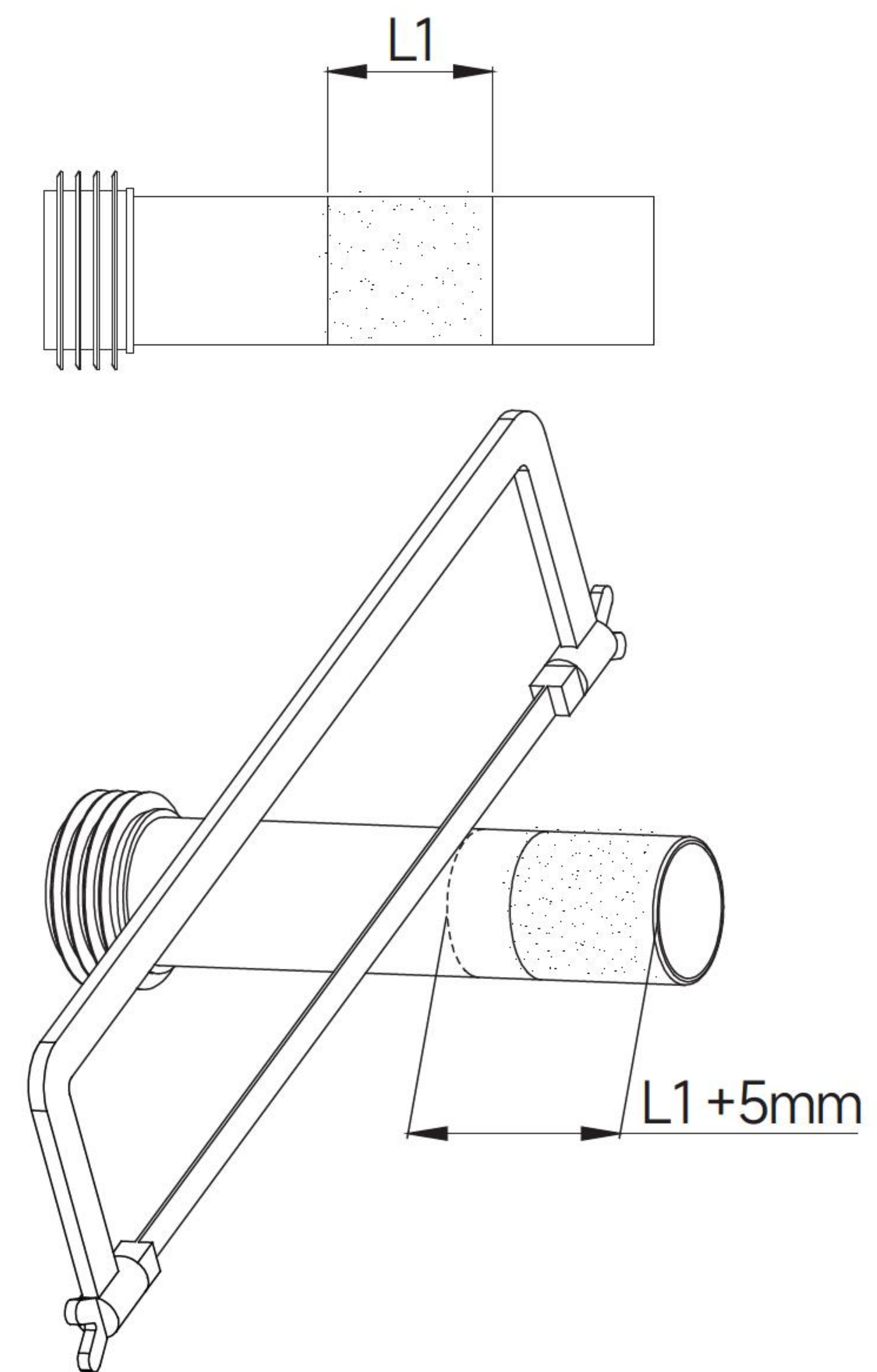


Installation Procedures

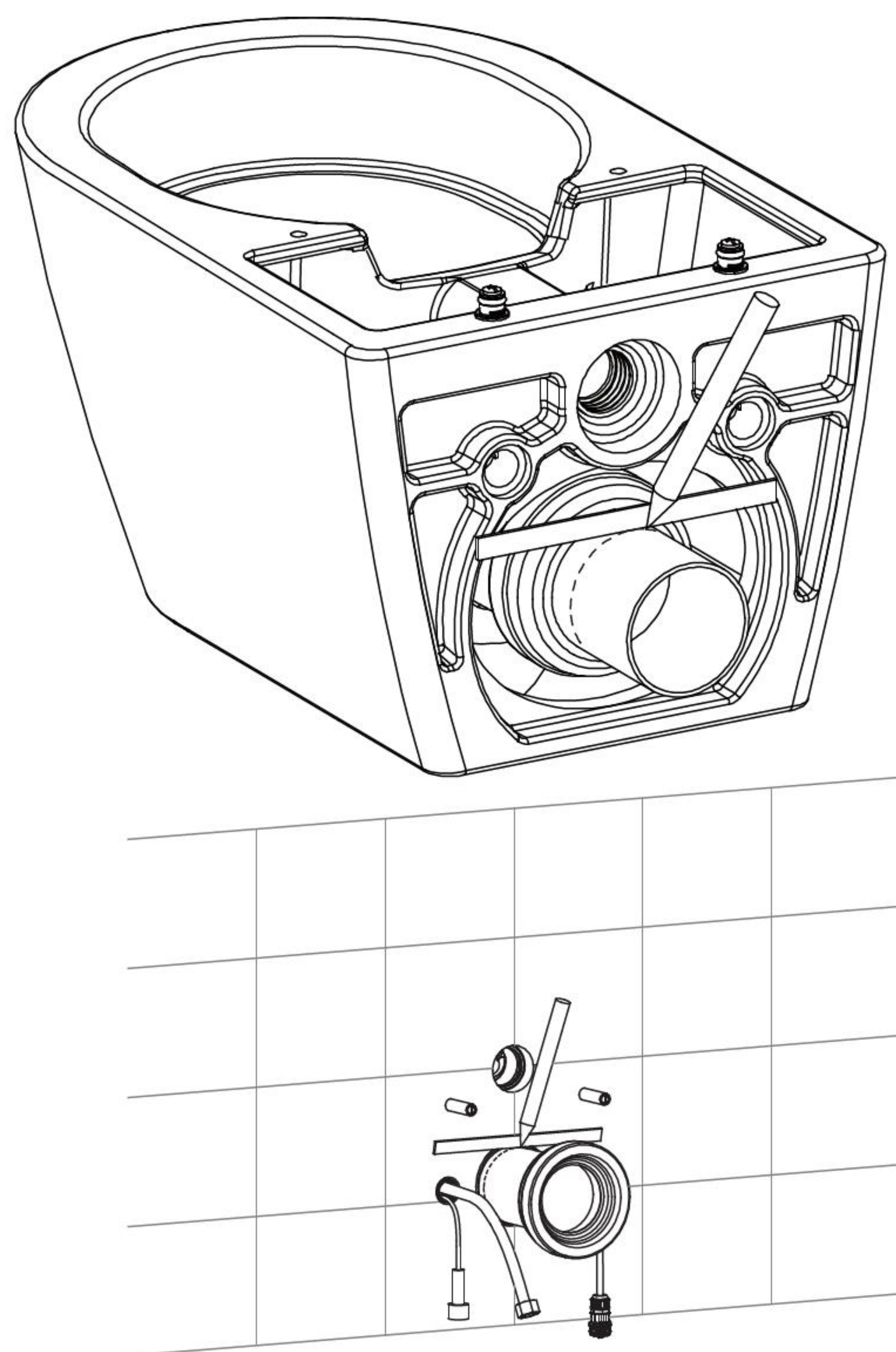
4. Measure the flush pipe.



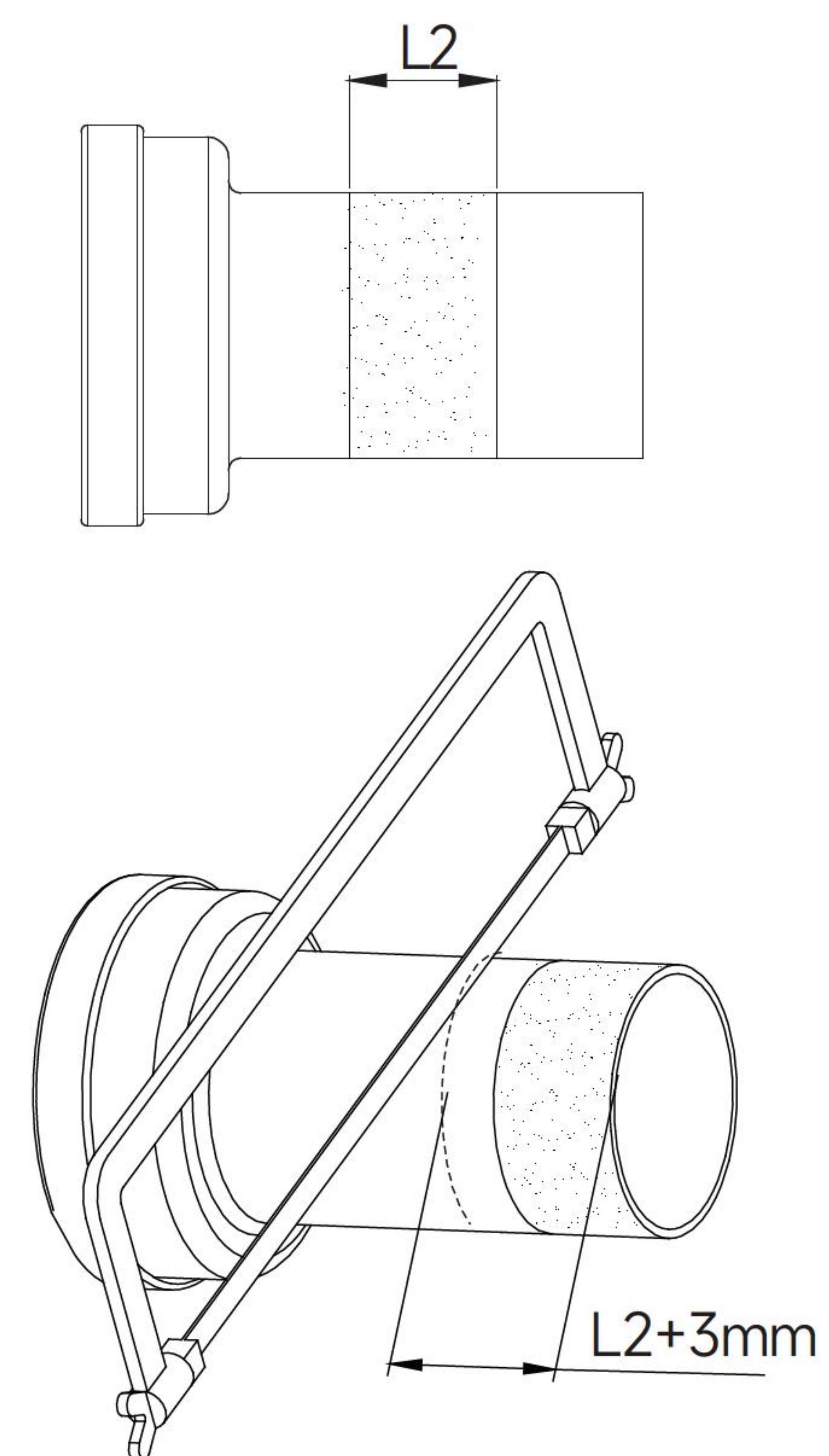
5. Cut off the excess pipe



6. Measure the drain pipe.

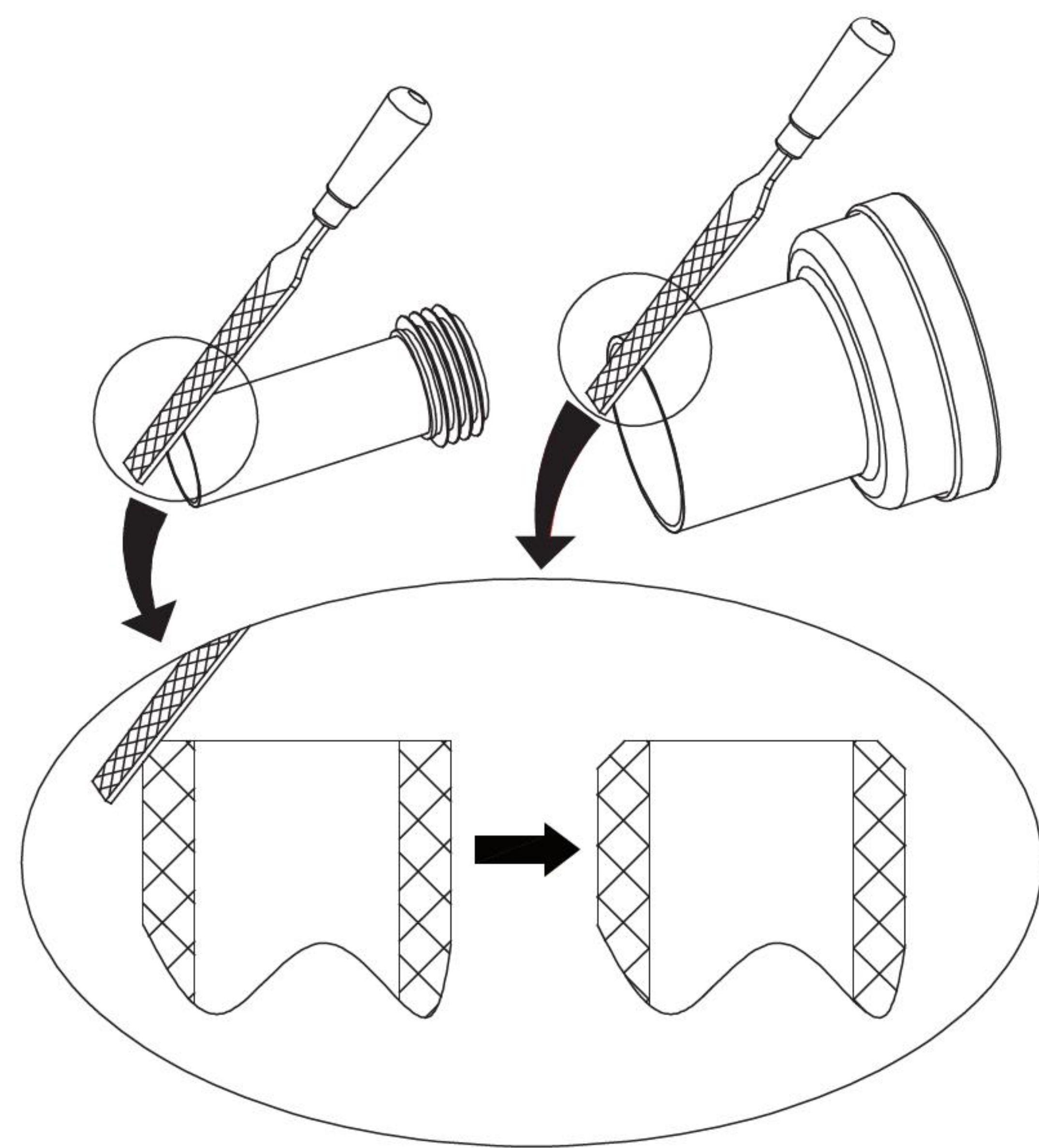


7. Cut off the excess pipe

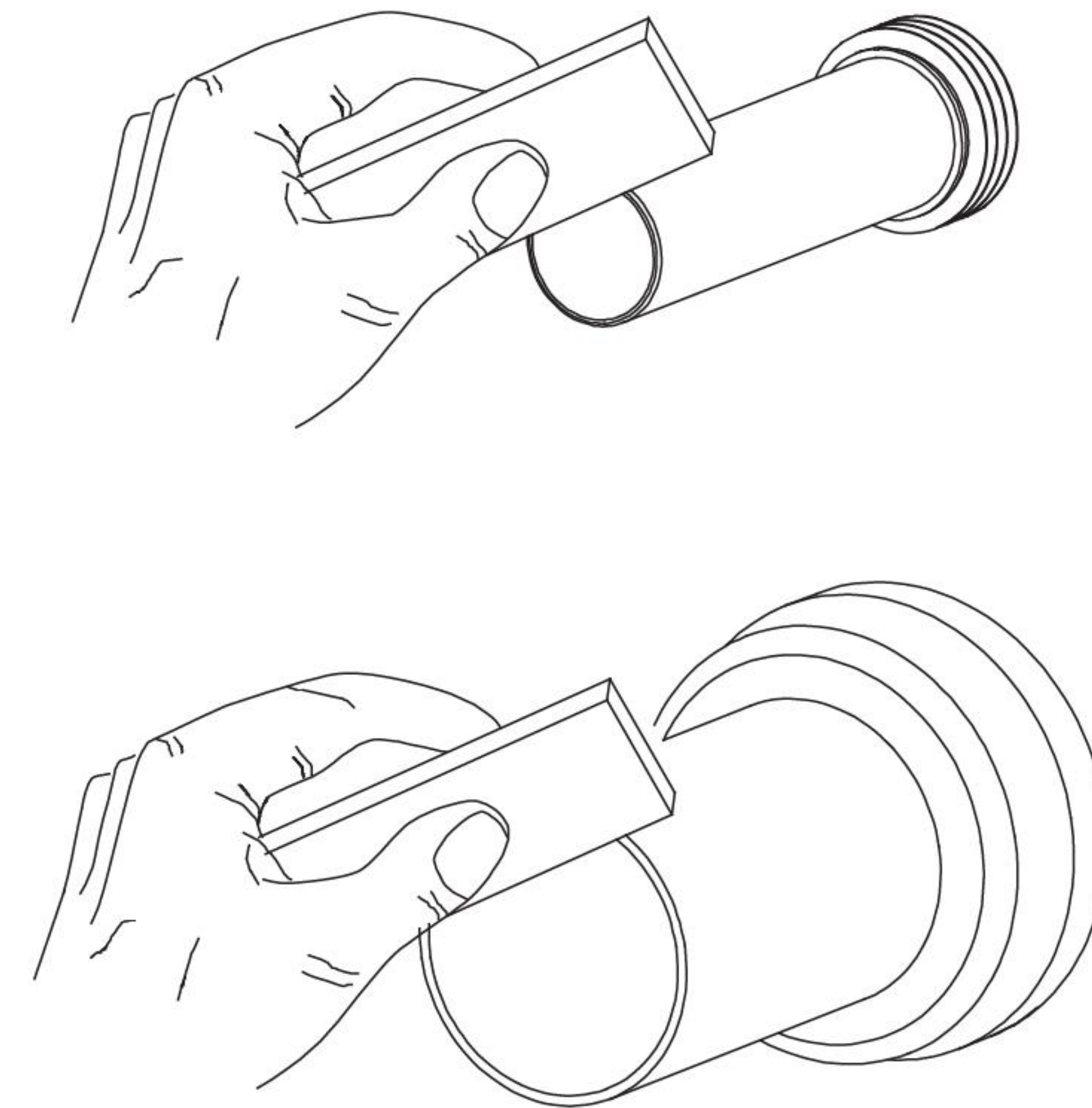


Installation Procedures

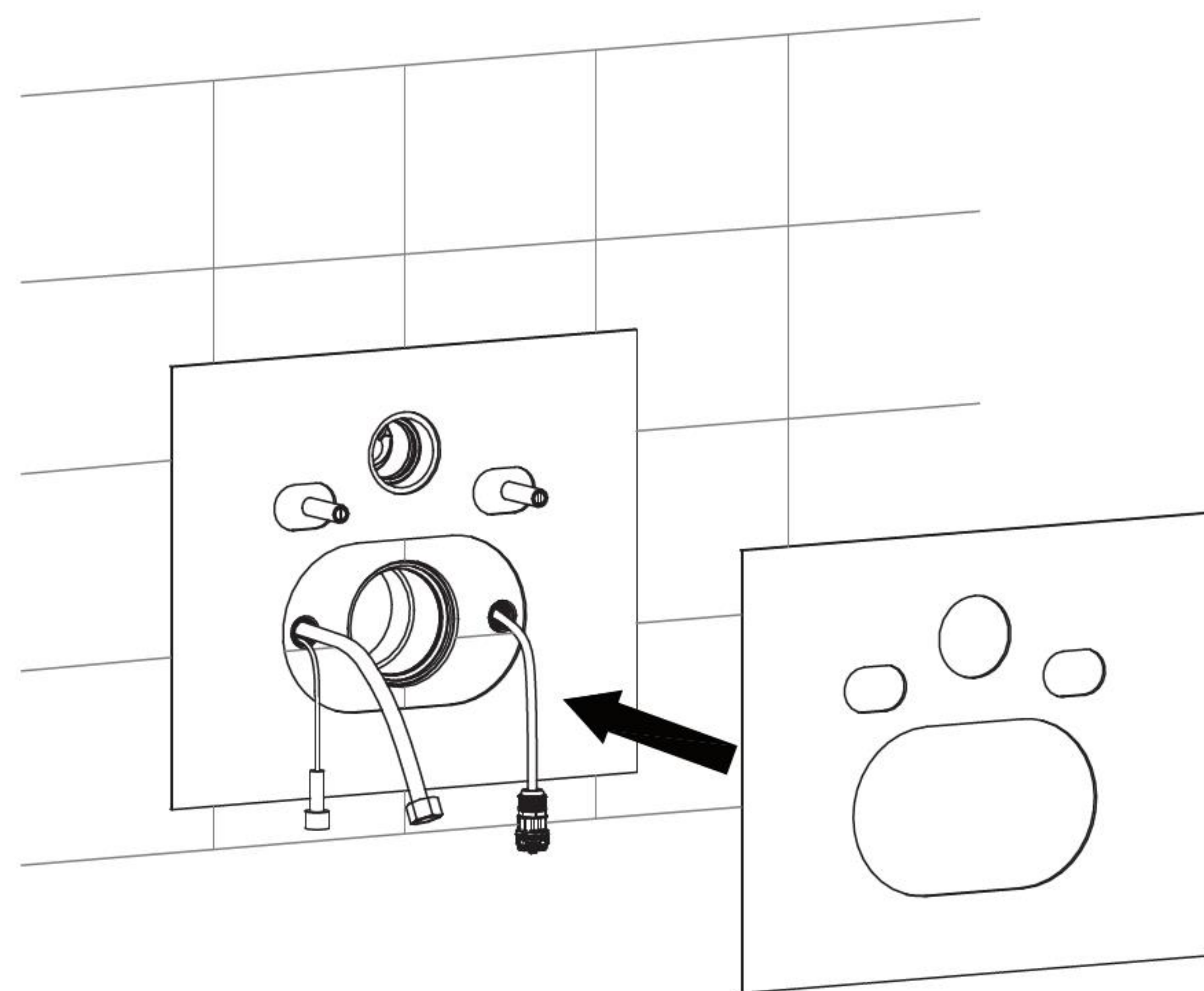
8. Bevel and deburr the sharp edges.



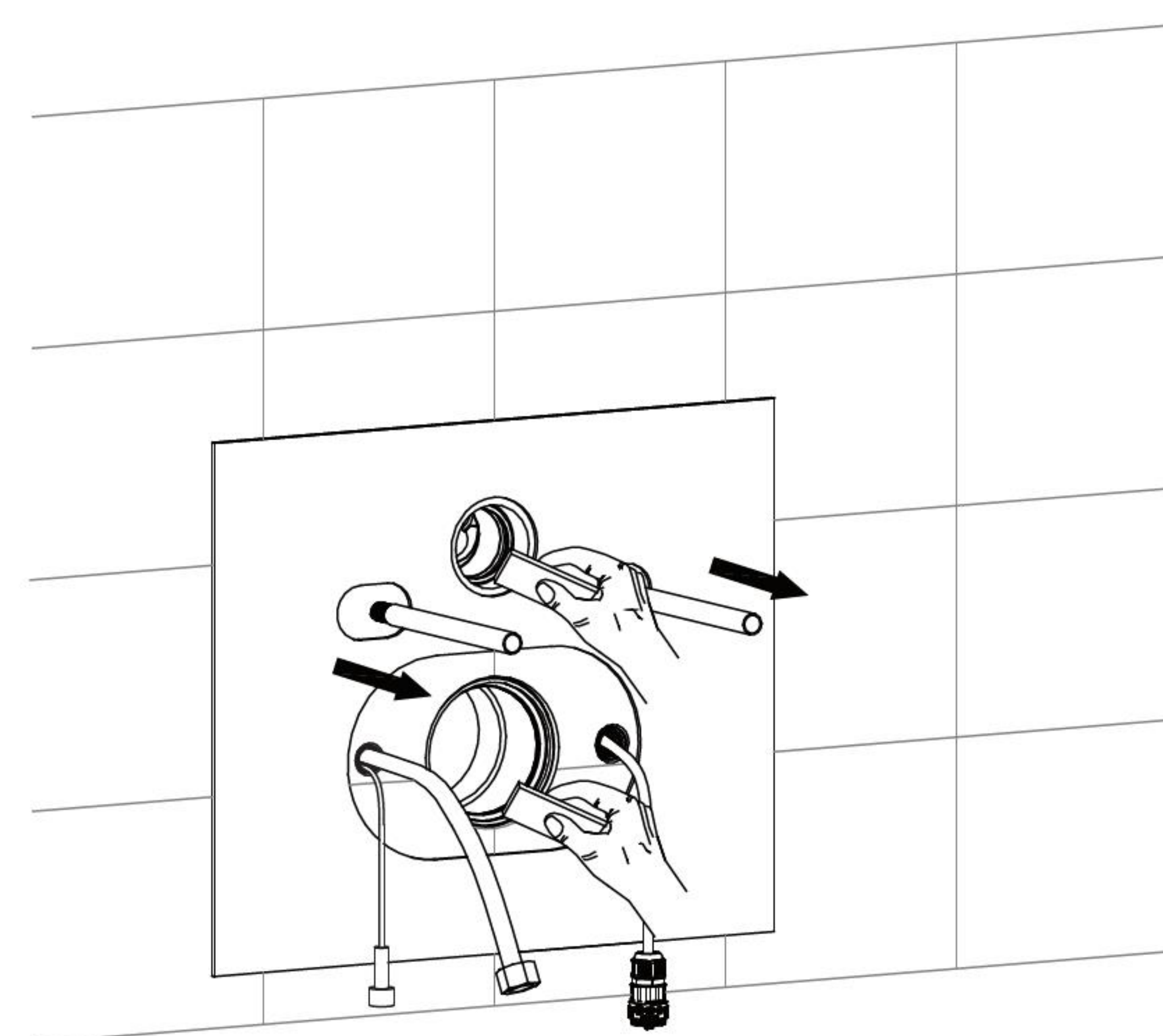
9. Apply silicone oil on the cutting surface.



10. Install the pad.

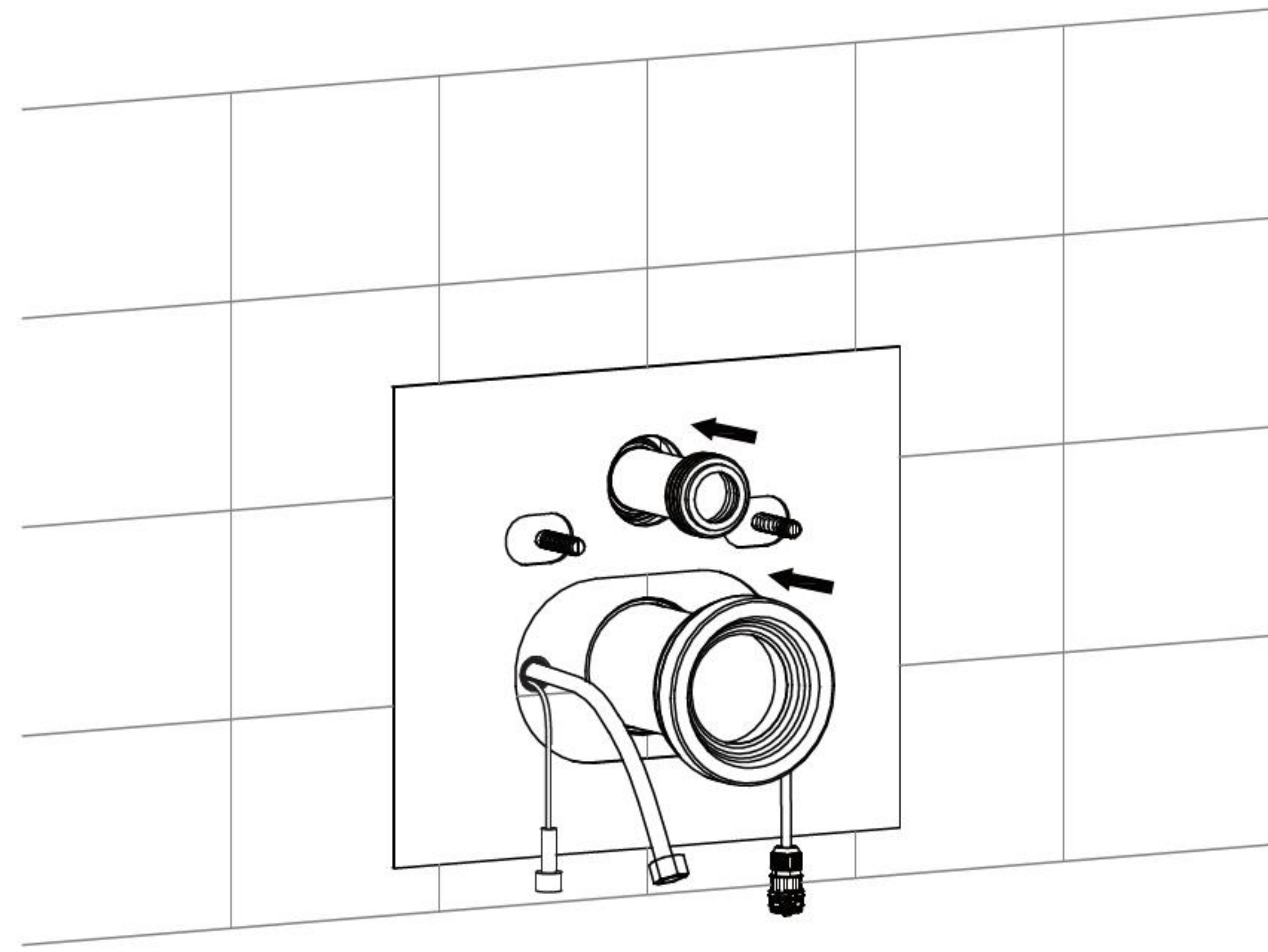


11. Remove the protective sleeve on bolts. Apply silicone oil on the in-wall flush pipe and drain pipe orifice.

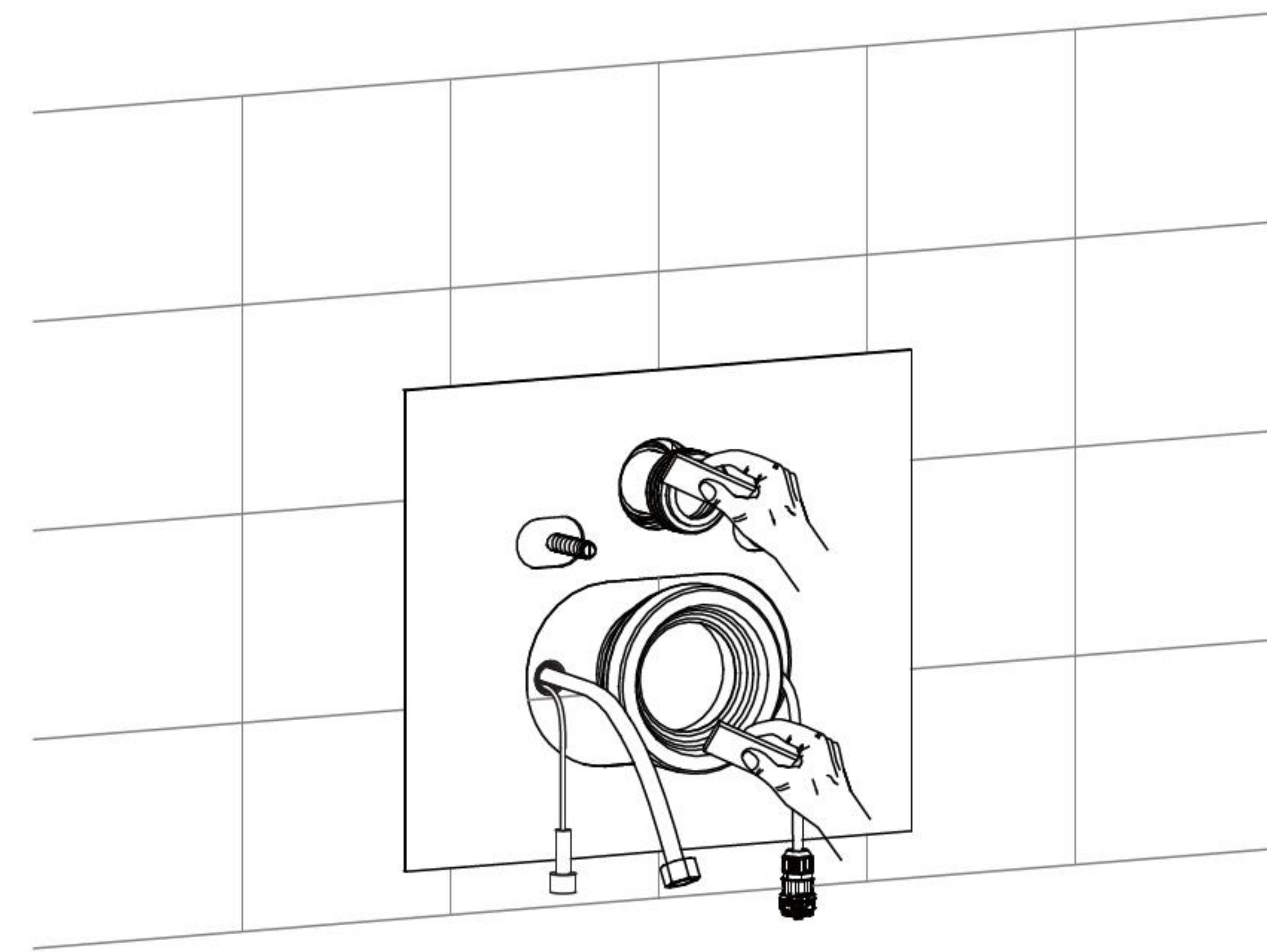


Installation Procedures

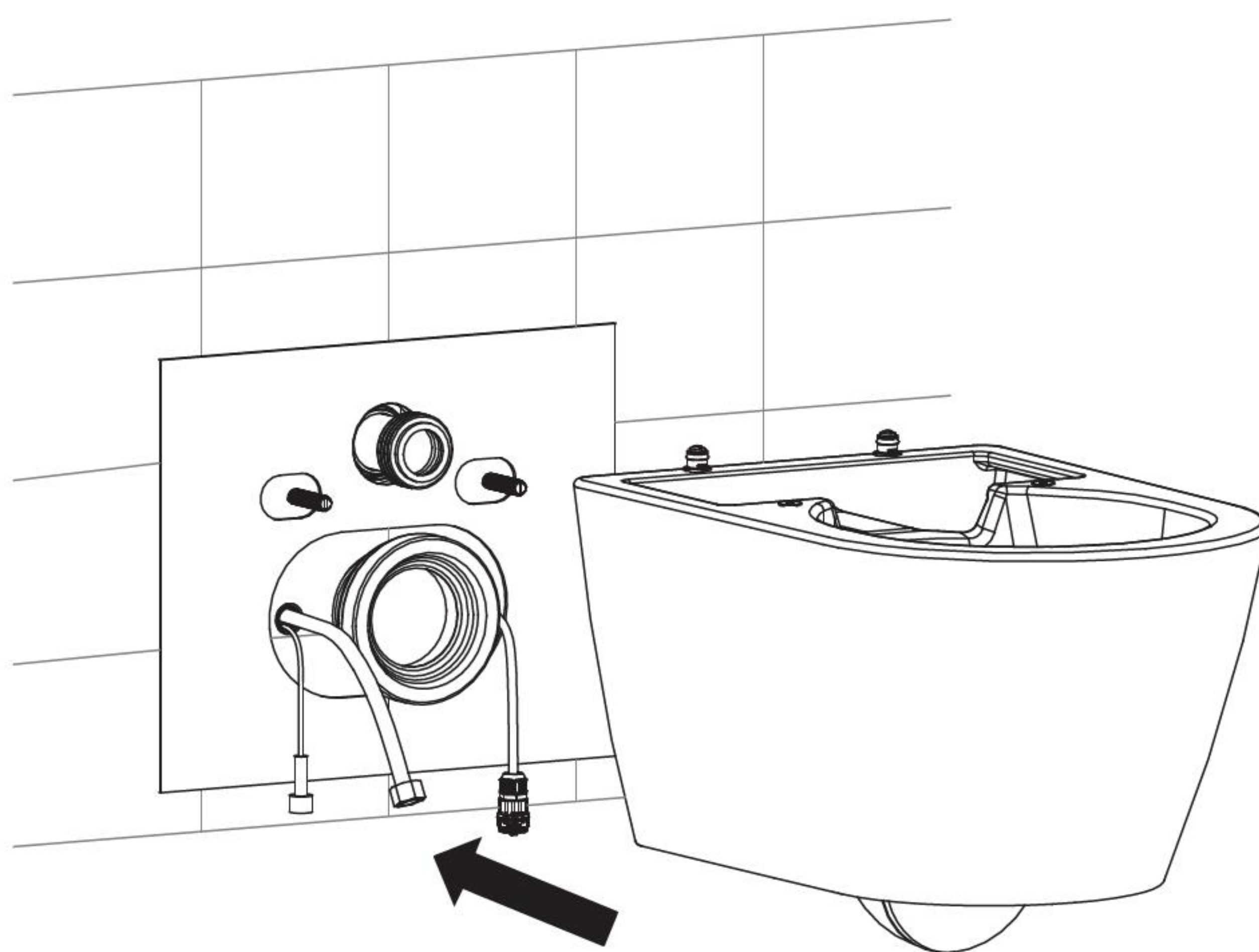
12. Mount the flush pipe and drain pipe.



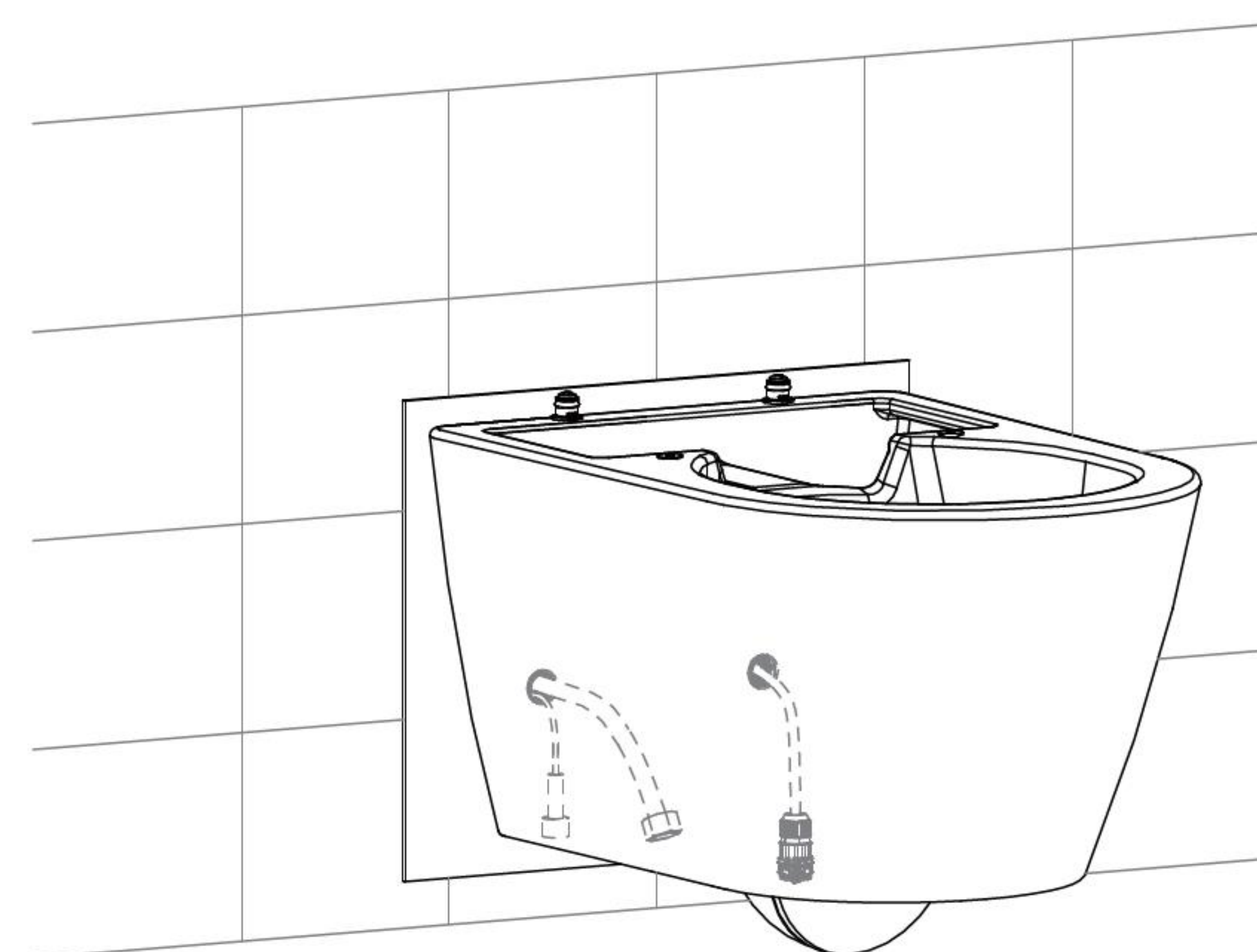
13. Apply silicone oil on the flush pipe and drain pipe.



14. Place the toilet against the wall.

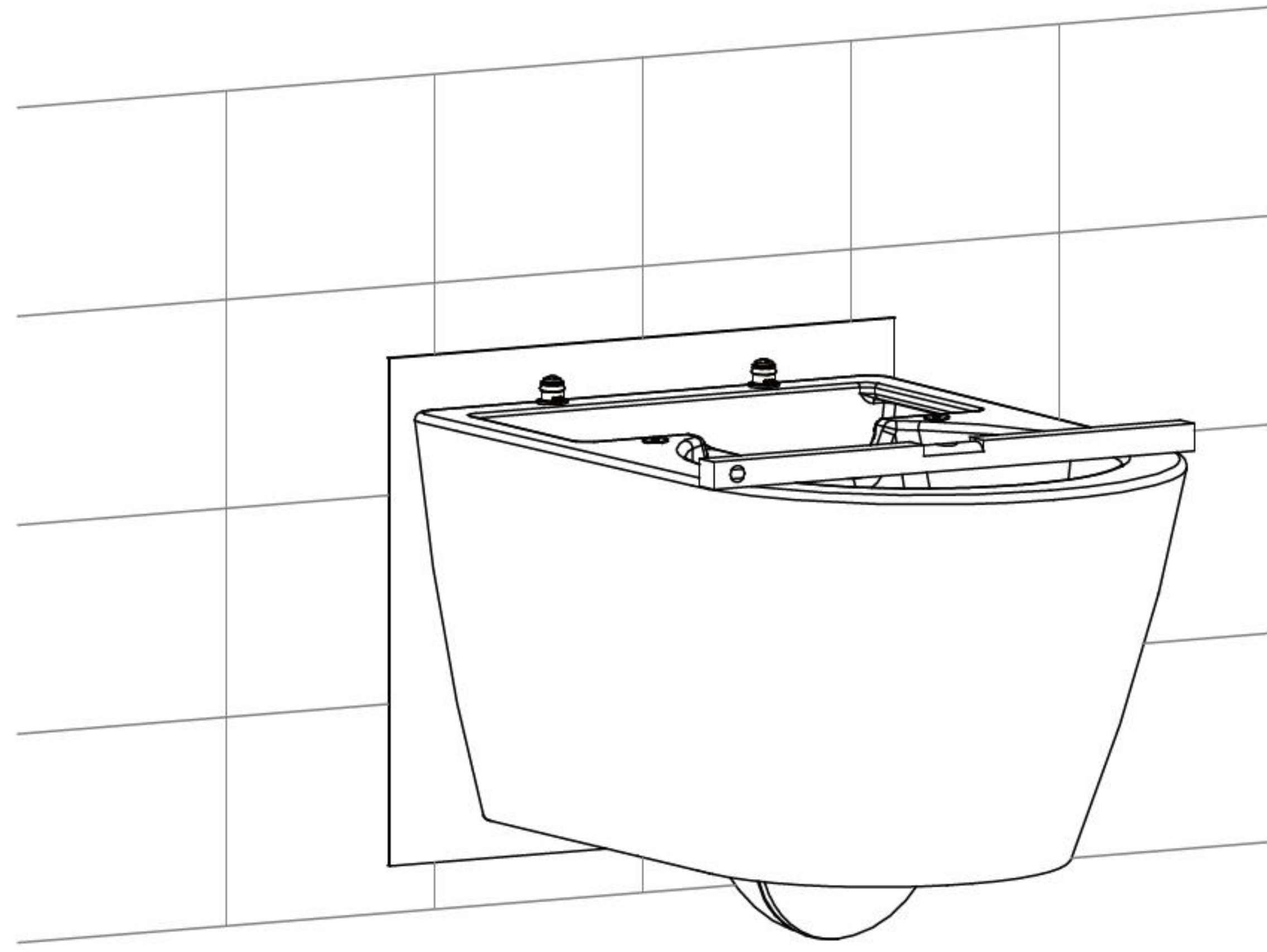


15. Pass the water supply hose, off-seat auto flushing cable and power cord through the toilet.

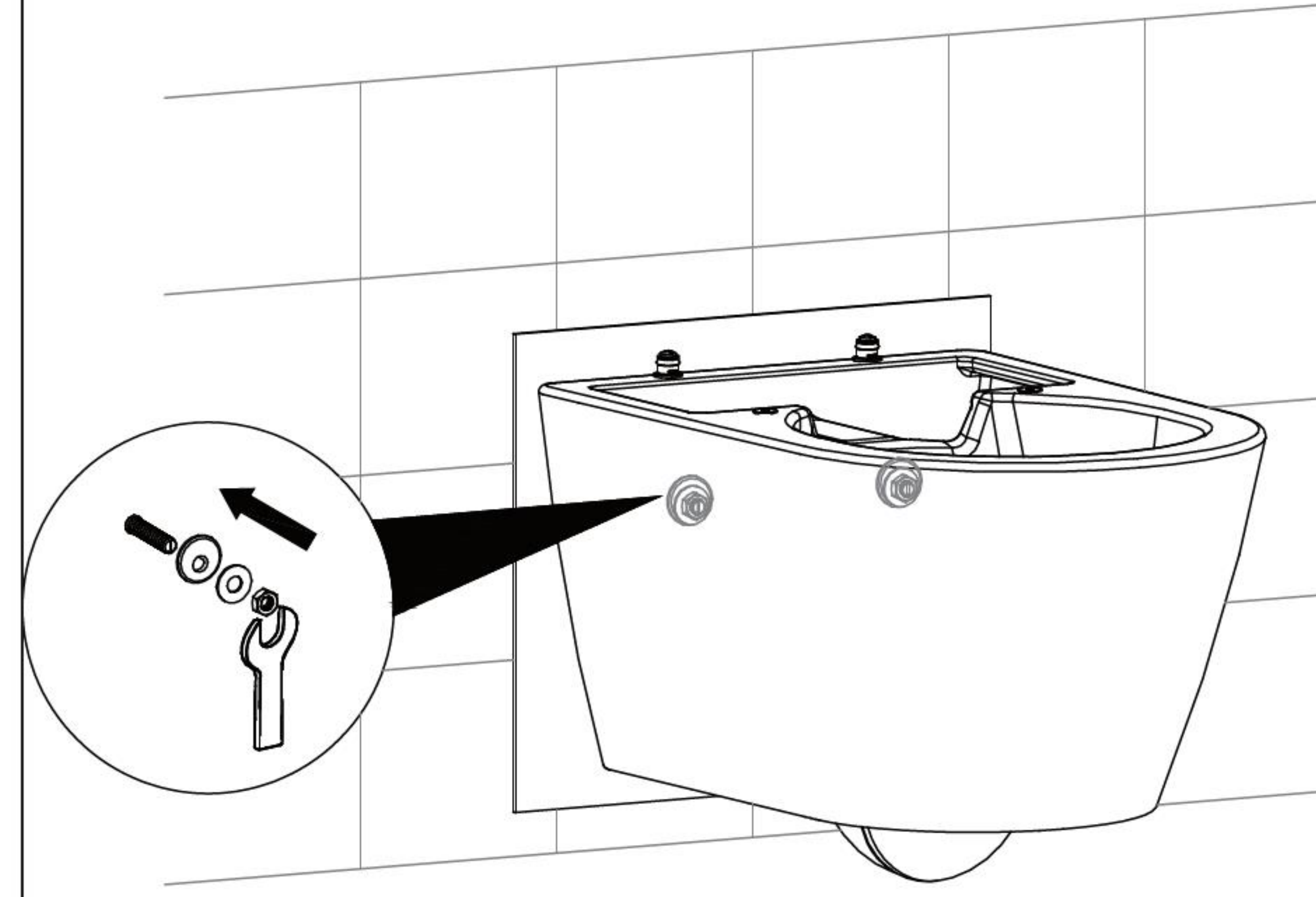


Installation Procedures

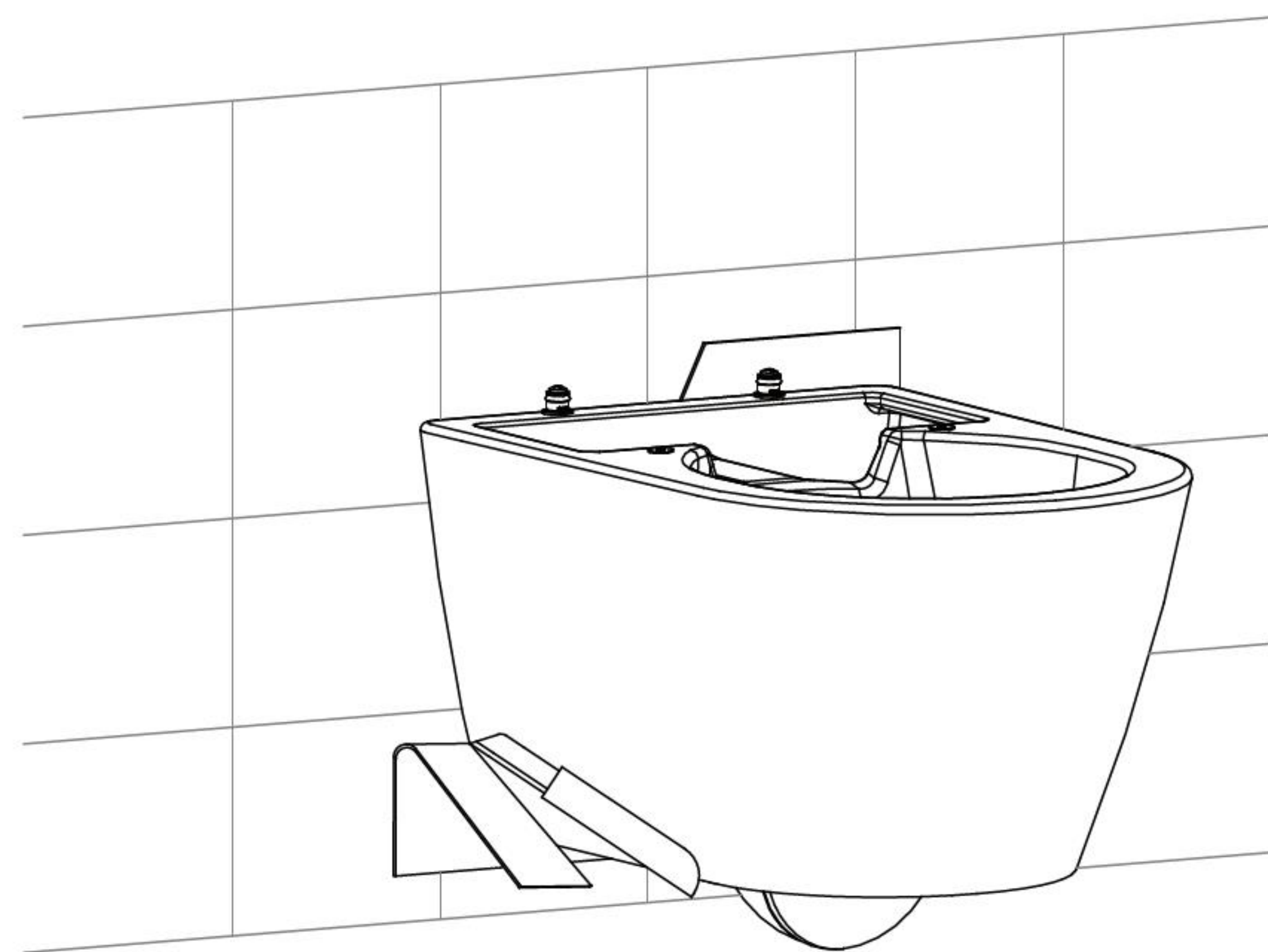
16. Level the toilet.



17. Install the washer and tighten the nut.



18. Cut off the excess pad.



19. Seal gap around toilet with sealant.

