



ARUVO™ ELYSIA Wall Hung In-wall Intelligent Toilet Suite

SKU: AR-TO-ELYSIA

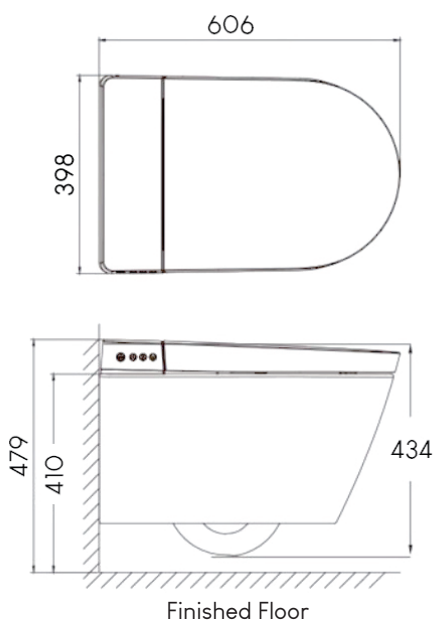
Pan Dimension:	W398 x H369 x D606mm
Material:	Ceramic
Colour:	Gloss White
Toilet Seat:	Soft Close & Quick Release
Push Plate Included:	Dual Push Plate in various finishes to choose from
Trap Options:	P Trap Only
IP Rating:	IPX4
WELS Rating:	4 Star
Certification:	SAA Certified & Watermark
Watts/Voltage:	220-240V
Installation:	Wall Hung (This toilet must be installed in accordance with AS/NZS 3500.1 Plumbing and Drainage. Please consult your local council/plumber for regulation backflow prevention information before purchase/installation.)



Warranty: Toilet Pan 15 Years, Cistern 5 Years, Seat & Remote 2 Years

Toilet Features: Ergonomic 65mm slim design seat with antibacterial material, Insulated slim pneumatic full frame in-wall cistern, Automatic or manual dual flush (4.5/3L), Built-in LED night light, Deodorizer function, Rimless pan, Nano coating technology

Bidet Features: Rear, Front & Move wash, Water temperature adjustment, Water pressure adjustment, Continuous water temperature wash, Spray nozzle self-cleaning, Anti-bacterial nozzle, Anti-bacterial seat, Heated seat, Warm Air dryer, Sensor seat, Seat & Lid soft closing, Remote control, Remote control flushing, Off-seat automatic flushing.





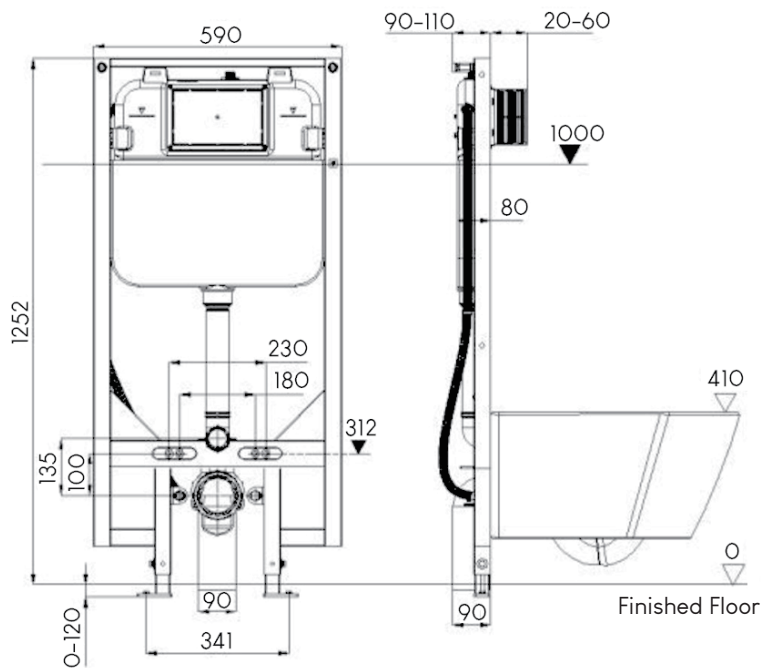
ARUVO™ ELYSIA Slim Pneumatic Full Frame In-wall Cistern
SKU: AR-TC-3830035

Features:

High density EPS insulation, Strong PVC drainage pipe, One-piece cistern, Anti-corrosion frame, Adjustable support feet, Quick install push plate

Installation:

Adjustable height and designed to be fixed on floor & studs using coach screws (not supplied)



Rimless Washdown Dual Flush System



Off-seat Auto Flushing



Patent Innovative Arc-angled Nozzle Design



5 Temperature Setting for Seat, Water & Air Drying

